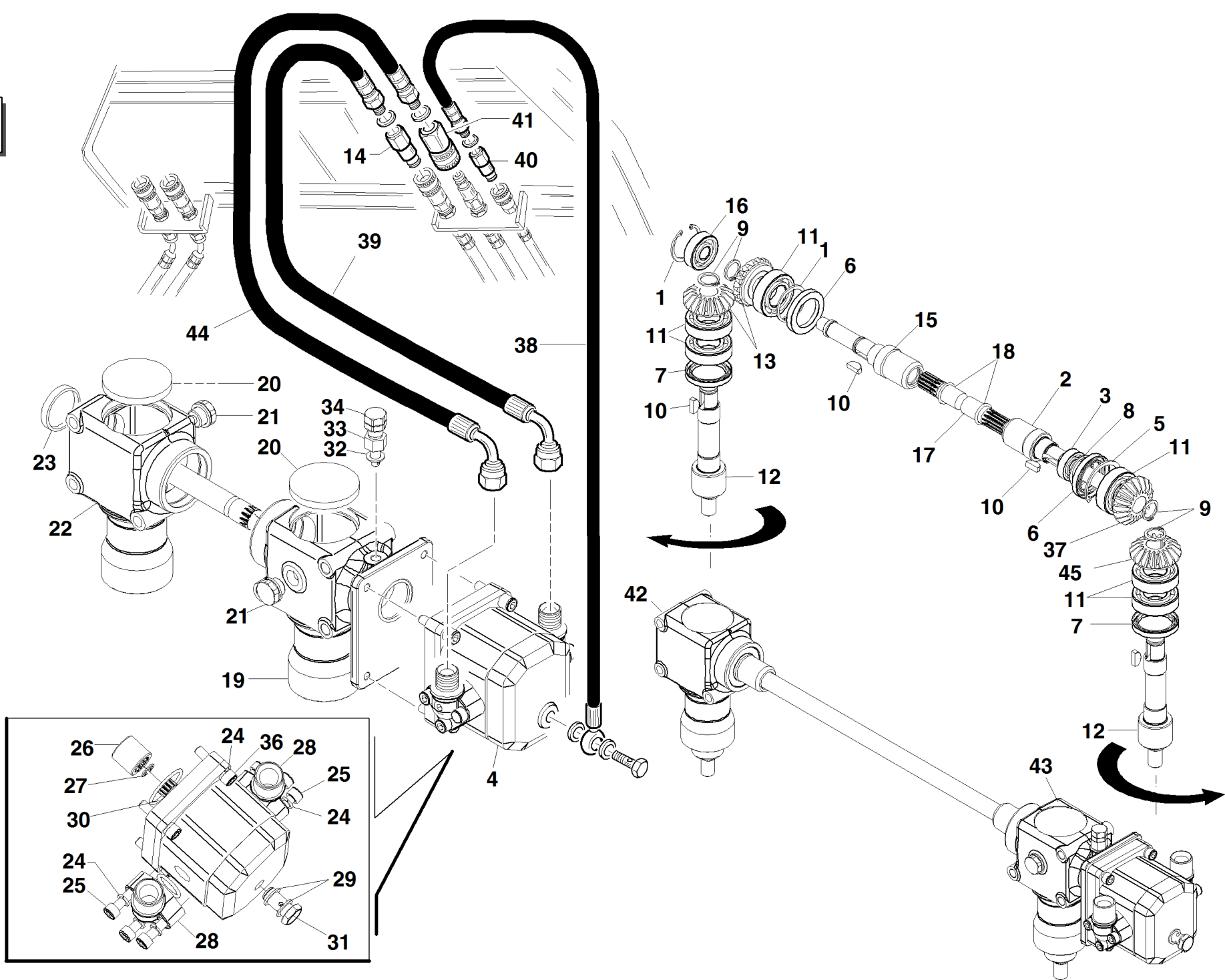


#	P/N	DESCRIPTION	GTS 112 SA	REF. 01-00555501401
1	94014180000	BLADES DISC D=340		
2	92101160000	COUPLE LEFT REENTERING BLADE L=152		
3	00111320001	STUD BOLT M8X16		
4	94014000015	RIGHT PULLEY SUPPORT		
5	94014000025	BLADES SHAFT COVER		
6	00111250016	SELF BL. NUT UNI 7474		
7	00111250021	8MA METB NUT		
8	00111970082	WHEEL		
9	92102000002	DECK REDUCTION COVER		
10	00111250002	SELF BL. NUT M12		
11	00111000134			
12	00111000127	SCREW WASHER M8X20		
13	00111300063	SCREW TE M12X115		
14	91100160001			
15	92101100000	112-SA MOWER DECK FRAME		
16	00111300023	SCREW UNI 5737 M10X105		
17	00111000080	SELF BLO. SCREW M10		
18	92101170000	COUPLE RIGHT REENTERING BLADE L=152		
19	94014000014	BLADE CENTERING SPACER		
20	94505111300	RIGHT 112 TGTECH BLADES DISC		
21	95598020000	COMPLETE BLADE SCREW TG TECH		
22	94505111200	LEFT 112 TGTECH BLADES DISC		
23	95504000022	BLACK ABS STRAP		



#

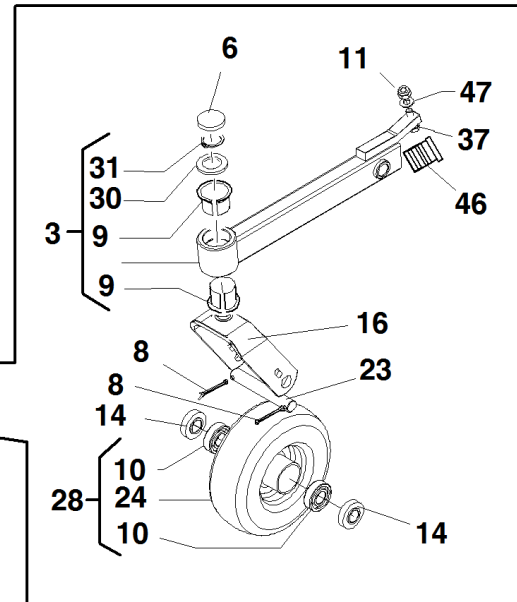
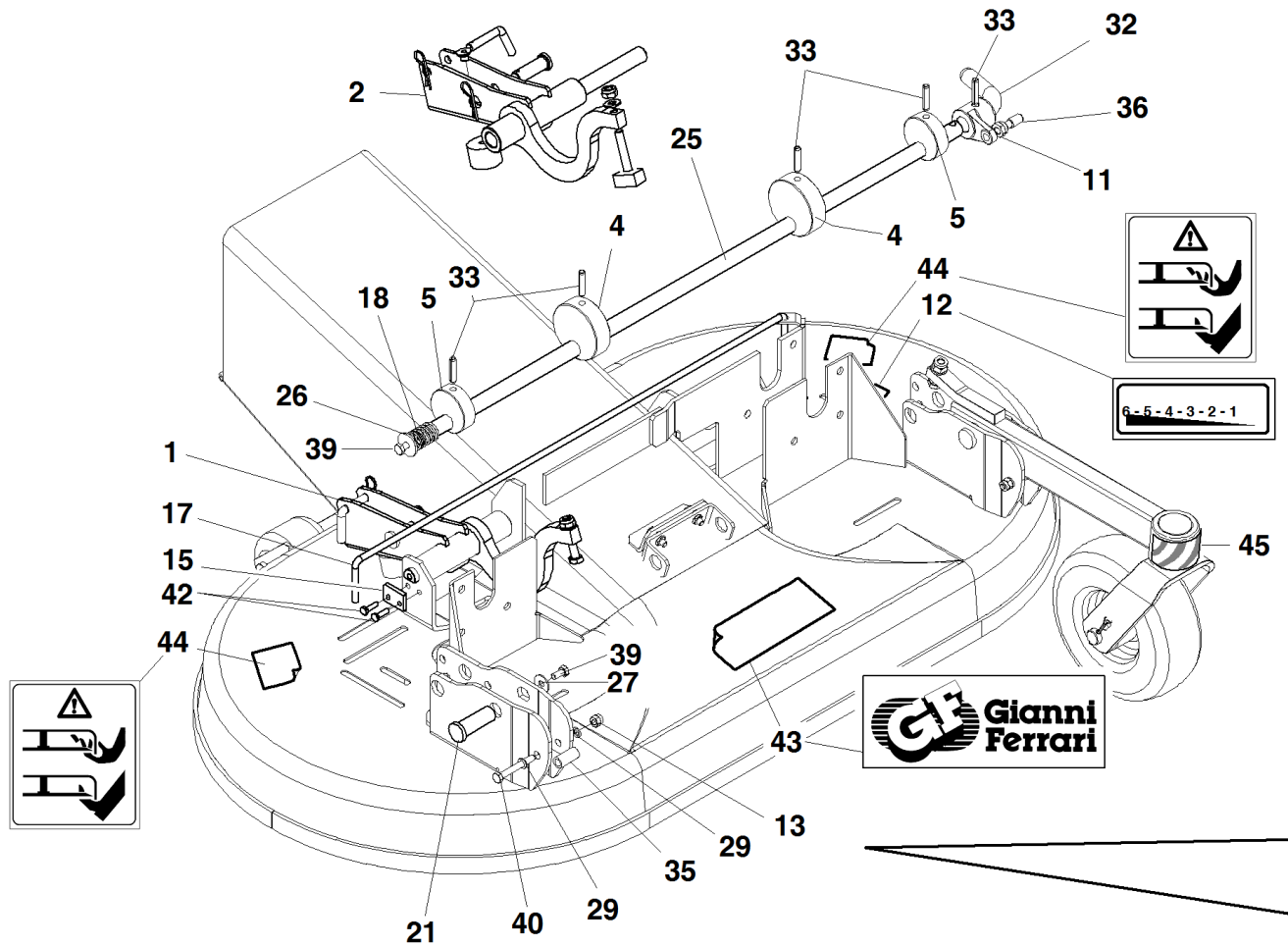
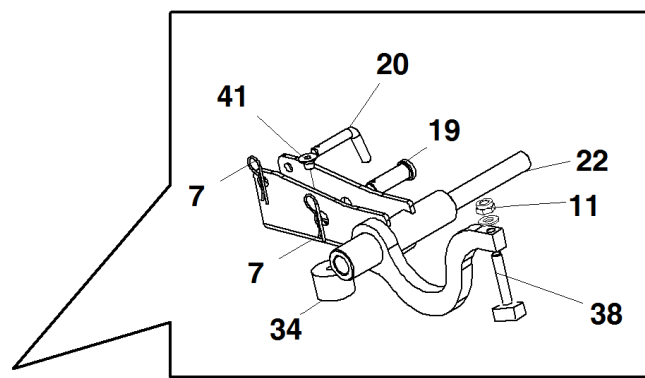
P/N

DESCRIPTION

GTS 112 SA

REF. 02-00555501402

1	00111650002	SNAP RING D.42 I		
2	00777306703	KEYED SHAFT		
3	00777100058	BEARING CLA 6003 - 17X35X10		
4	92101000002	HYDRAULIC ENGINE 10cc		
5	00111650009	SNAP RING D.52 I		
6	00777250017	SEAL WASHER 35X52X7		
7	00777250022	""VITON"" SEAL WASHER 38X52X7"		
8	00111650005	SNAP RING D.35 I		
9	00111650013	SNAP RING D.20X1,5 E		
10	00777305203	SPECIAL TONGUE		
11	00777100017	KOYO BEARING 6205		
12	00777305501	CUTTER BLOCK SHAFT		
13	00777306000	ELIC. BEVEL GEAR PAIR		
14	00777600161	"MALE RAPID ATTACHMENT 1/2""		
15	00777305504	KEYED SHAFT		
16	00777100041	KOYO BEARING 6302		
17	94505110001	TG TECH 112 DECK SHAFT		
18	00777230006	OR RING 3081		
19	00777306701	GEAR CASE 3 OUTPUT		
20	00777270001	CLOSED CAP 62X7		
21	95599670000	PLUG 3/8		
22	00777305503	GEAR CASE 2 OUTPUT		
23	00777270007	CLOSED CAP 42X7		
24	00111000179	GROWER WASHER M8		
25	00111000110	ALLEN SCREW M6X35 8.8 UNI 5931 ZNT		
26	00777306705	SPLINED BUSHING		
27	00111650031	SNAP RING I X D14 UNI7437		
28	00777600175	"FLANGE 90° BSP 3/4""		
29	00777600174	COPPER WASHER M14		
30	00777230022	OR RING GASKET D=2.62 - Di=36.14 VITON		
31	00777600173	BOLT M14X1.5		
32	00777600045	WASHER COPPER 1/8		
33	00777306702	VALVE LITTLE COLUMN M 1/8 - F 1/4		
34	00777306704	VENT PLUG KMV-14		
35	95504000022	BLACK ABS STRAP		
36	00111400022	ALLEN SCREW		
37	00777306001	HELICAL GEAR		
38	91100000011	HOSE 1/4 1SN M14-1.5-M1/4 L=1280		
39	92101000007			
40	00777600163	"MALE RAPID ATTACHMENT 1/4""		
41	00777600160	"FEMALE RAPID ATTACHMENT 1/2""		
42	00777305500	LEFT GEAR BOX 2 OUTPUT		
43	00777306700	RH 3 OUTPUTS GEARBOX (18/18)		
44	92101150001	HOSE 1/2 2SC F90°1/2-M1/2 L=1310 +GASKET		
45	00777306002	HELICAL GEAR		



#

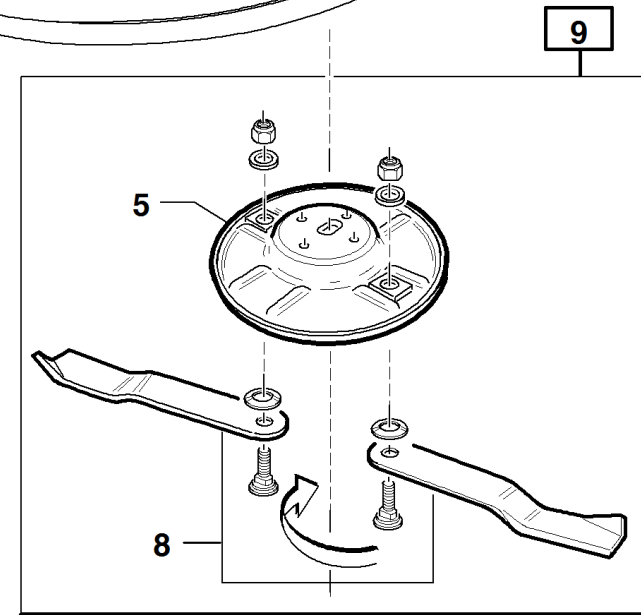
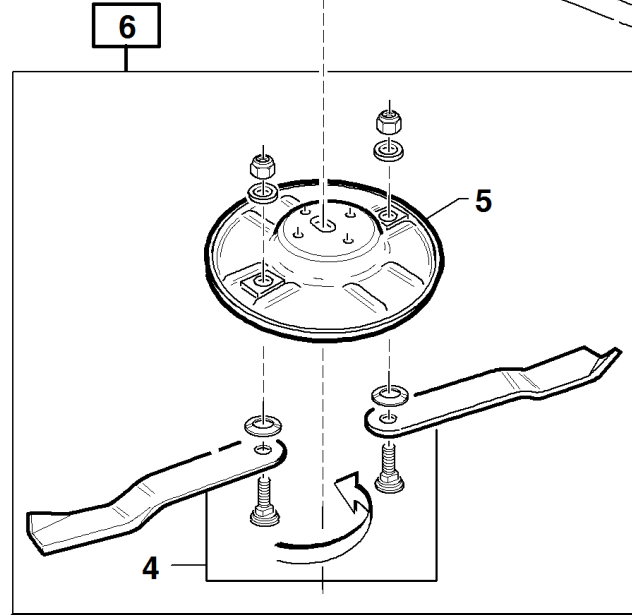
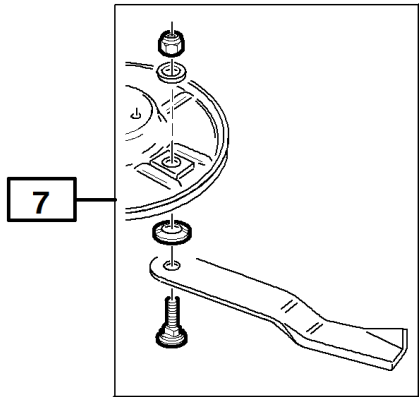
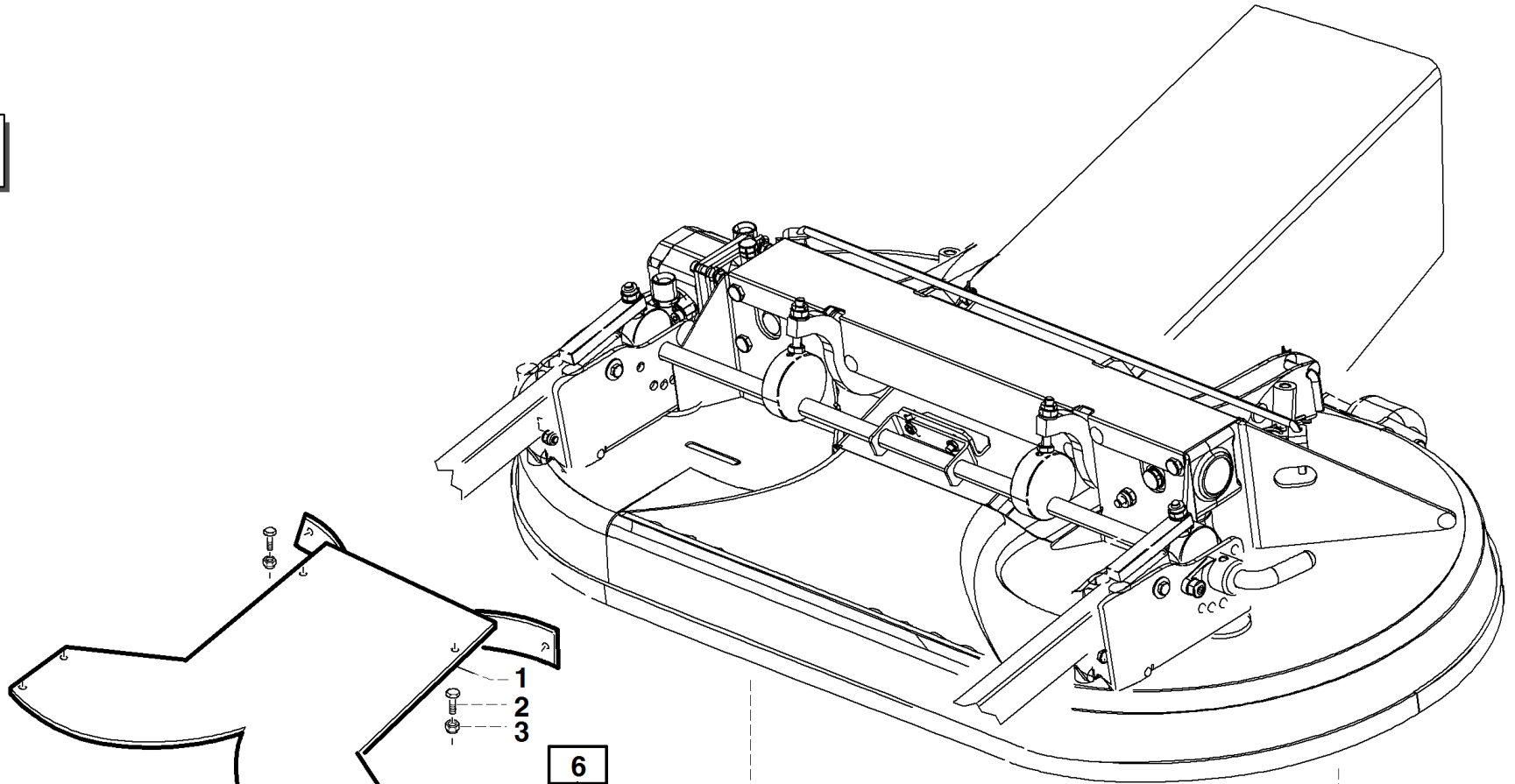
P/N

DESCRIPTION

GTS 112 SA

REF. 03-00555501403

1	92101110000	RIGHT ARM ATTACHMENT		
2	92101120000	LEFT ARM ATTACHMENT		
3	92101180000			
4	91100000004	CAM		
5	91100000005	HEIGHT CUTTING REGULATION CAM		
6	00777270010	CLOSED CAP 35X7		
7	00111750004	""BETA DECO"" SPLIT PIN"		
8	00111750005	SPLIT 4X50		
9	00111990017	BUSHING WITH EDGE TFF 20/16,5		
10	00777100008	BEARING 6204 2RS 20x47x14		
11	00111000080	SELF BLO. SCREW M10		
12	00555200170	TRANSFER PRINT.CUTTING HEIGHT ADJ.		
13	00111000095	SELF BLO. NUT M8		
14	90110000001	SPACER WHEEL		
15	91100000007	SHAFT BLOCK		
16	95139201000	WHEEL TROLLEY FORK		
17	92102000003	CLEANING HOOK L=575		
18	95220110005	SPRING D=20.7 L=51.5		
19	95139100003	TROLLEY BLOCKING PIN		
20	94014000009	LOCKING TROLLEY PIN		
21	95220100002	TROLLEY BLOCKING PIN		
22	91100000006	MOWER DECK PIN		
23	95139200001	TROLLEY SHAFT WHEEL		
24	00111940022	8x3.00-4 TYRE		
25	92102000001	CAM ROAD		
26	00111000132	WASHER P. 8,4X32X2,5 ZNT		
27	00111000061	WASHER 8.4X24X2		
28	95139205000	FILLED WHEEL 8x3.00-4		
29	00111000041	WASHER 8X25X1.5		
30	00111500011	WASHER 20X30X2		
31	00111000057	SNAP RING D.20 E		
32	95220110003	CAM SELECTOR WITH HANDLE		
33	00111700012	ELASTIC PIN 8X36		
34	00111970038	VIBRATION-DAMPING STOPPER M10 F		
35	95220100006	HOSE FOR FRONT ARM		
36	95220110004	CAMSHAFT SELCTOR SCREW		
37	00111300018	SCREW TE M10X35		
38	92101000008	MOWER DECK REGULATING SCREW		
39	00111000081	SCREW TE M8X16		
40	00111300027	SCREW TE M8X60 ZNT		
41	00111350036			
42	00111300011	SCREW TE M6X20		
43	00555200165	YELLOW GIANNI FERRARI TRANSF. PRINTING		
44	00555000029	TRANSFER PRINTING MOWER DECK		
45	95139000002	REFRACTING W/R TAPE L=140		
46	00111970148	RECTANGULAR PUSH ROD 30x40		
47	00111000015	WASHER D.10,5X21X2		



#

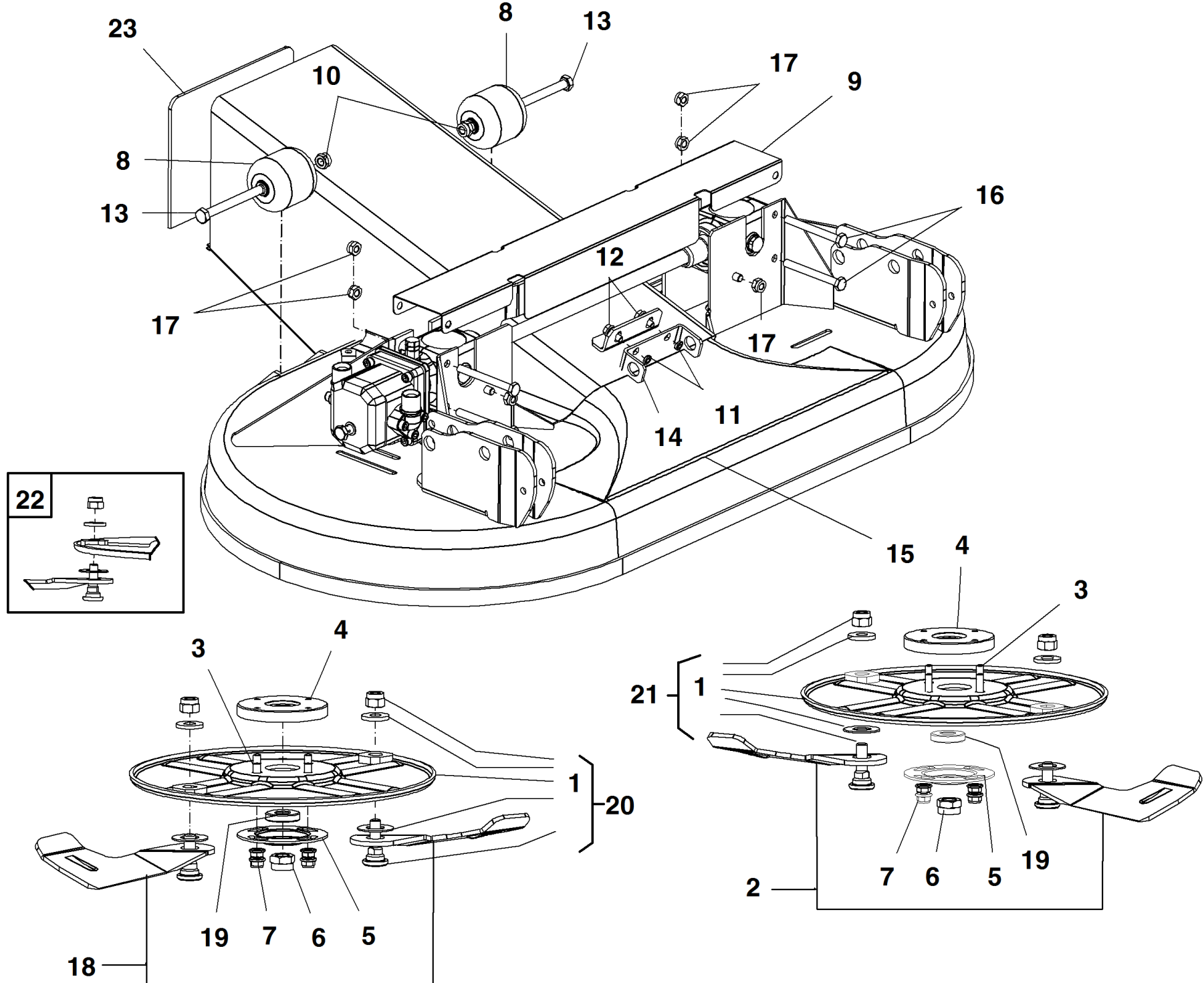
P/N

DESCRIPTION

GTS 112 SA

REF. 04-00555501404

1	95568100000	TG MULCHING CLOSING
2	00111000045	SCREW TE M6X16
3	00111000166	SELF BL. SCREW M6
4	95059130000	COUPLE RIGHT MULCHING BLADE L= 197,5
5	95006500000	BLADES DISC
6	95568110000	MULCHING RIGHT DISK (112cm)
7	95598020000	COMPLETE BLADE SCREW TG TECH
8	95059120000	COUPLE LEFT MULCHING BLADE L=197,5
9	95568120000	MULCHING LEFT DISK (112cm)



#

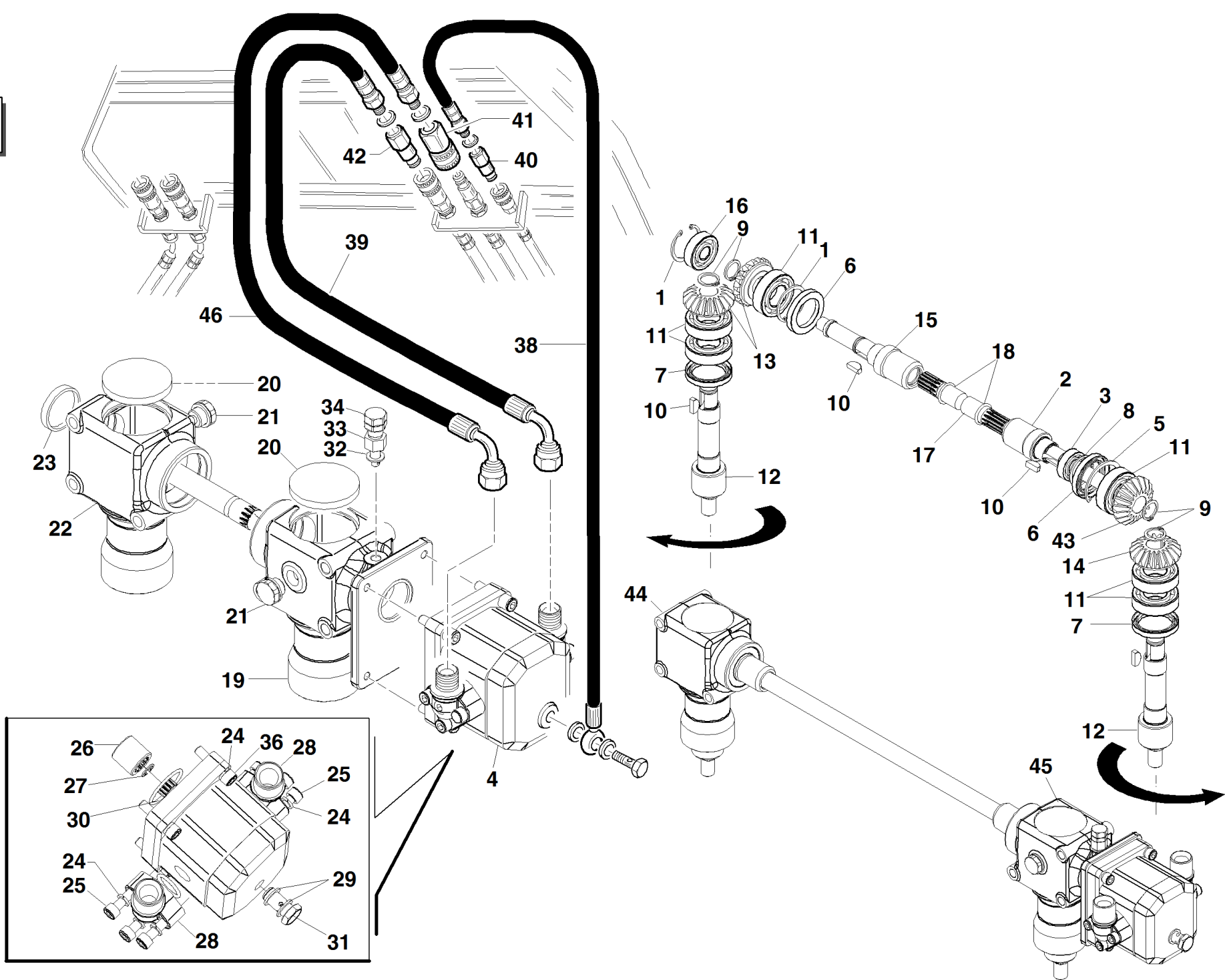
P/N

DESCRIPTION

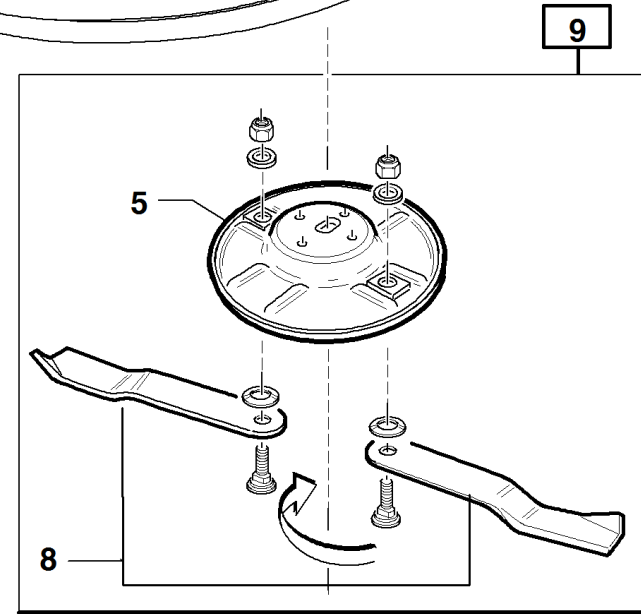
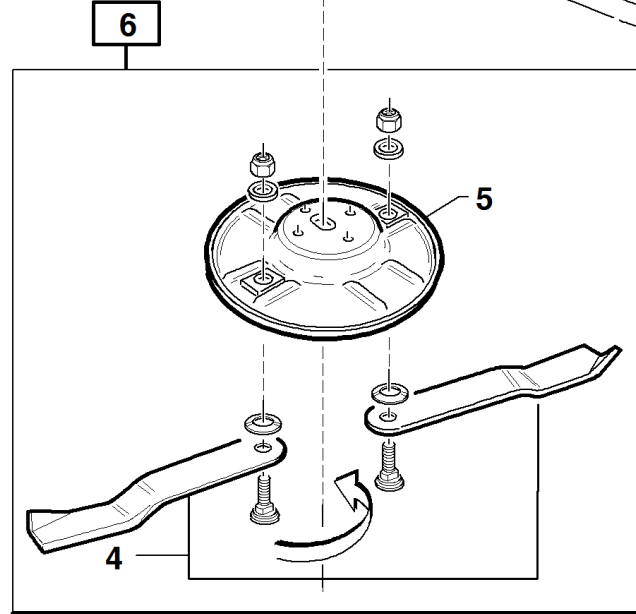
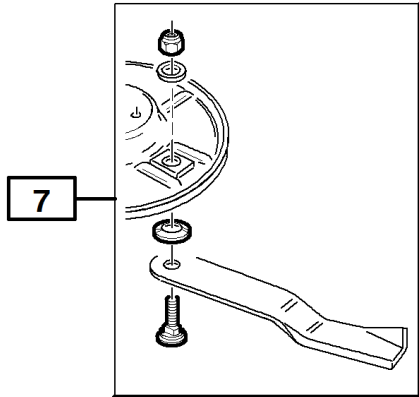
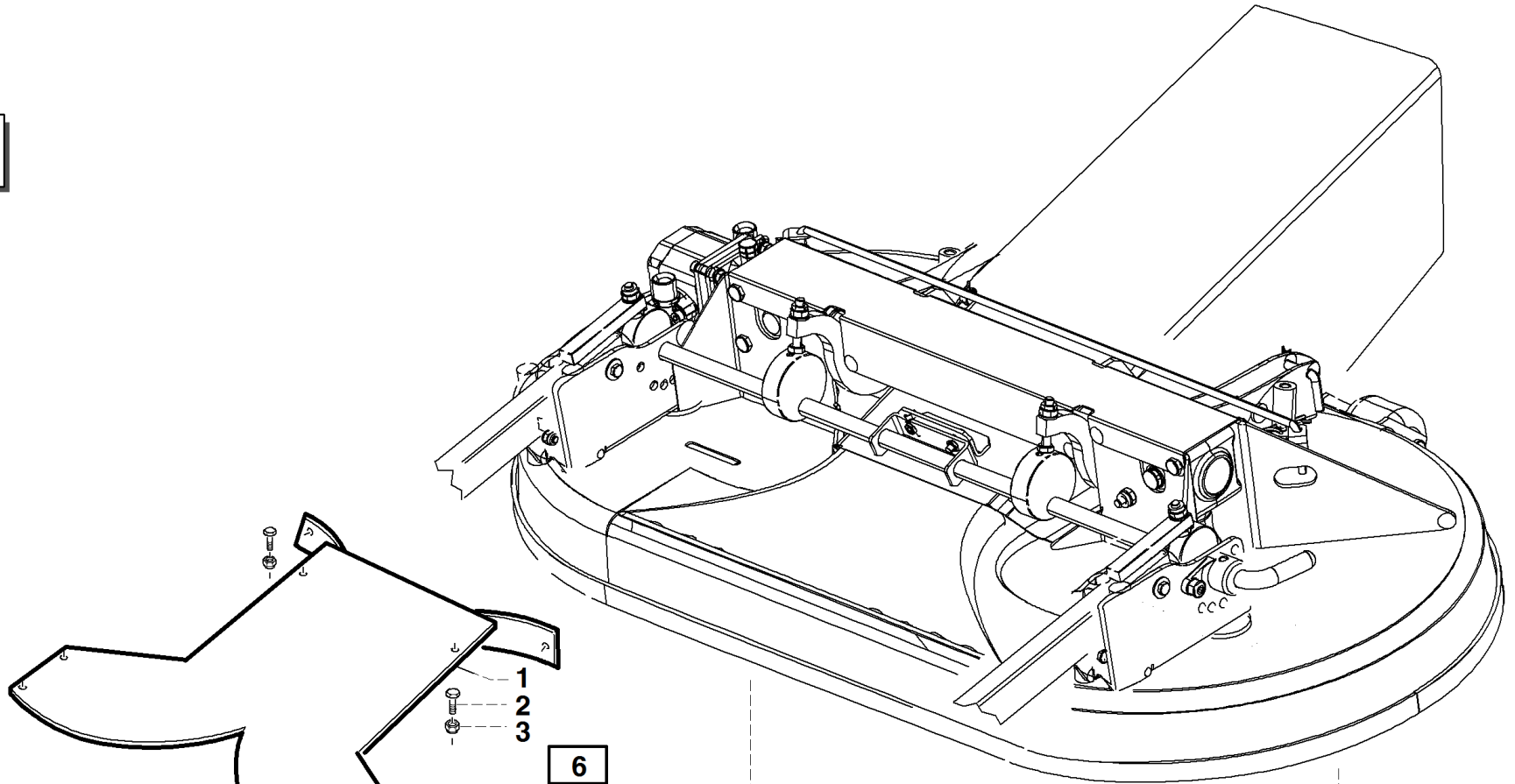
GTS 96 SA

REF. 05-00555501405

1	95006500000	BLADES DISC	
2	92101160000	COUPLE LEFT REENTERING BLADE L=152	
3	00111320001	STUD BOLT M8X16	
4	94014000015	RIGHT PULLEY SUPPORT	
5	94014000025	BLADES SHAFT COVER	
6	00111250016	SELF BL. NUT UNI 7474	
7	00111250021	8MA METB NUT	
8	00111970082	WHEEL	
9	94014000025	BLADES SHAFT COVER	
10	00111250002	SELF BL. NUT M12	
11	00111000134		
12	00111000127	SCREW WASHER M8X20	
13	00111300063	SCREW TE M12X115	
14	91100160001		
15	92102100000	MOWER DECK FRAME 96-SA	
16	00111300023	SCREW UNI 5737 M10X105	
17	00111000080	SELF BLO. SCREW M10	
18	92101170000	COUPLE RIGHT REENTERING BLADE L=152	
19	94014000014	BLADE CENTERING SPACER	
20	94502111100	TG TECH 96 KNIFE RIGHT DISC	
21	94502111000	TG TECH96 KNIFE LEFT DISC	
22	95598020000	COMPLETE BLADE SCREW TG TECH	
23	95504000022	BLACK ABS STRAP	



#	P/N	DESCRIPTION	GTS 96 SA	REF. 06-00555501406
1	00111650002	SNAP RING D.42 I		
2	00777306703	KEYED SHAFT		
3	00777100058	BEARING CLA 6003 - 17X35X10		
4	92101000001	HYDRAULIC ENGINE 8,5 CC		
5	00111650009	SNAP RING D.52 I		
6	00777250017	SEAL WASHER 35X52X7		
7	00777250022	""""VITON"""" SEAL WASHER 38X52X7"		
8	00111650005	SNAP RING D.35 I		
9	00111650013	SNAP RING D.20X1,5 E		
10	00777305203	SPECIAL TONGUE		
11	00777100017	KOYO BEARING 6205		
12	00777305501	CUTTER BLOCK SHAFT		
13	00777306000	ELIC. BEVEL GEAR PAIR		
14	00777306002	HELICAL GEAR		
15	00777305504	KEYED SHAFT		
16	00777100041	KOYO BEARING 6302		
17	95566000001	SHAFT		
18	00777230006	OR RING 3081		
19	00777306701	GEAR CASE 3 OUTPUT		
20	00777270001	CLOSED CAP 62X7		
21	95599670000	PLUG 3/8		
22	00777305503	GEAR CASE 2 OUTPUT		
23	00777270007	CLOSED CAP 42X7		
24	00111000179	GROWER WASHER M8		
25	00111400045			
26	00777306705	SPLINED BUSHING		
27	00111650031	SNAP RING I X D14 UNI7437		
28	00777600175	"FLANGE 90° BSP 3/4""""		
29	00777600174	COPPER WASHER M14		
30	00777230022	OR RING GASKET D=2.62 - Di=36.14 VITON		
31	00777600173	BOLT M14X1.5		
32	00777600045	WASHER COPPER 1/8		
33	00777306702	VALVE LITTLE COLUMN M 1/8 - F 1/4		
34	00777306704	VENT PLUG KMV-14		
35	95504000022	BLACK ABS STRAP		
36	00111400022	ALLEN SCREW		
38	91100000011	HOSE 1/4 1SN M14-1.5-M1/4 L=1280		
39	92101000007			
40	00777600163	"MALE RAPID ATTACHMENT 1/4""""		
41	00777600160	"FEMALE RAPID ATTACHMENT 1/2""""		
42	00777600161	"MALE RAPID ATTACHMENT 1/2""""		
43	00777306001	HELICAL GEAR		
44	00777305500	LEFT GEAR BOX 2 OUTPUT		
45	00777306700	RH 3 OUTPUTS GEARBOX (18/18)		
46	92101150001	HOSE 1/2 2SC F90°1/2-M1/2 L=1310 +GASKET		



#

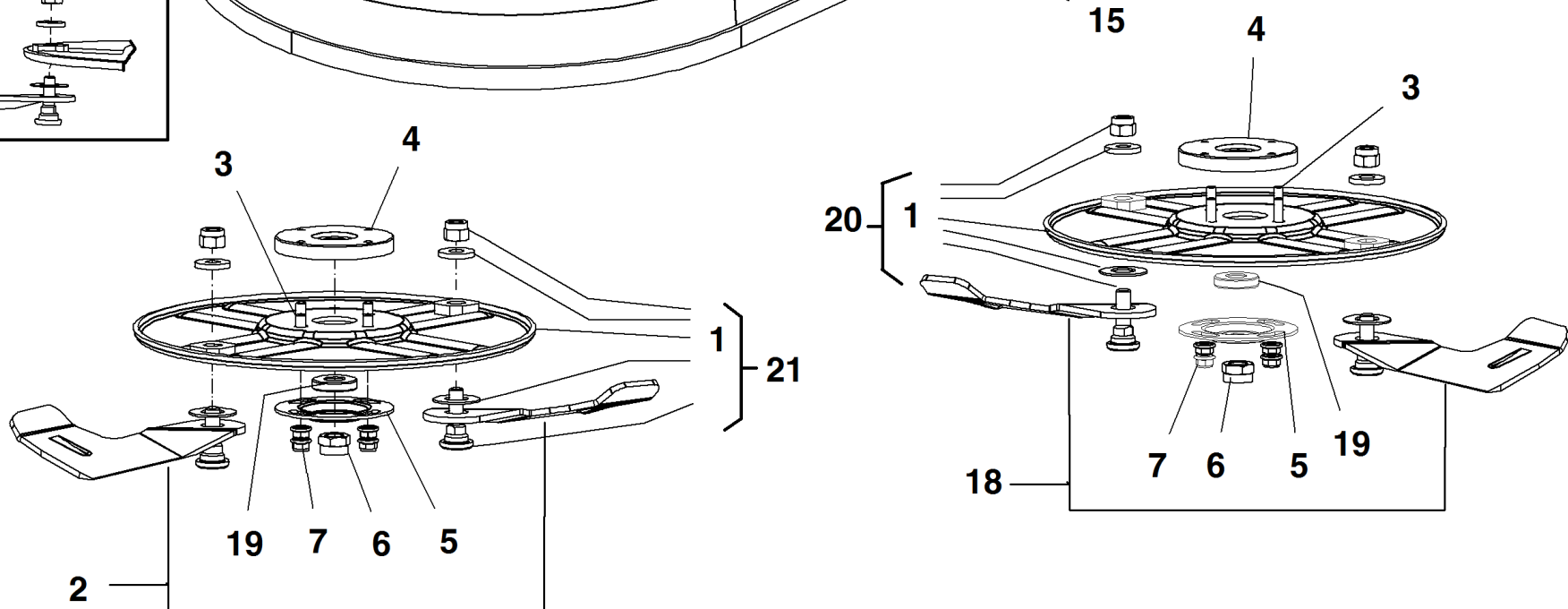
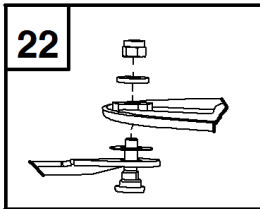
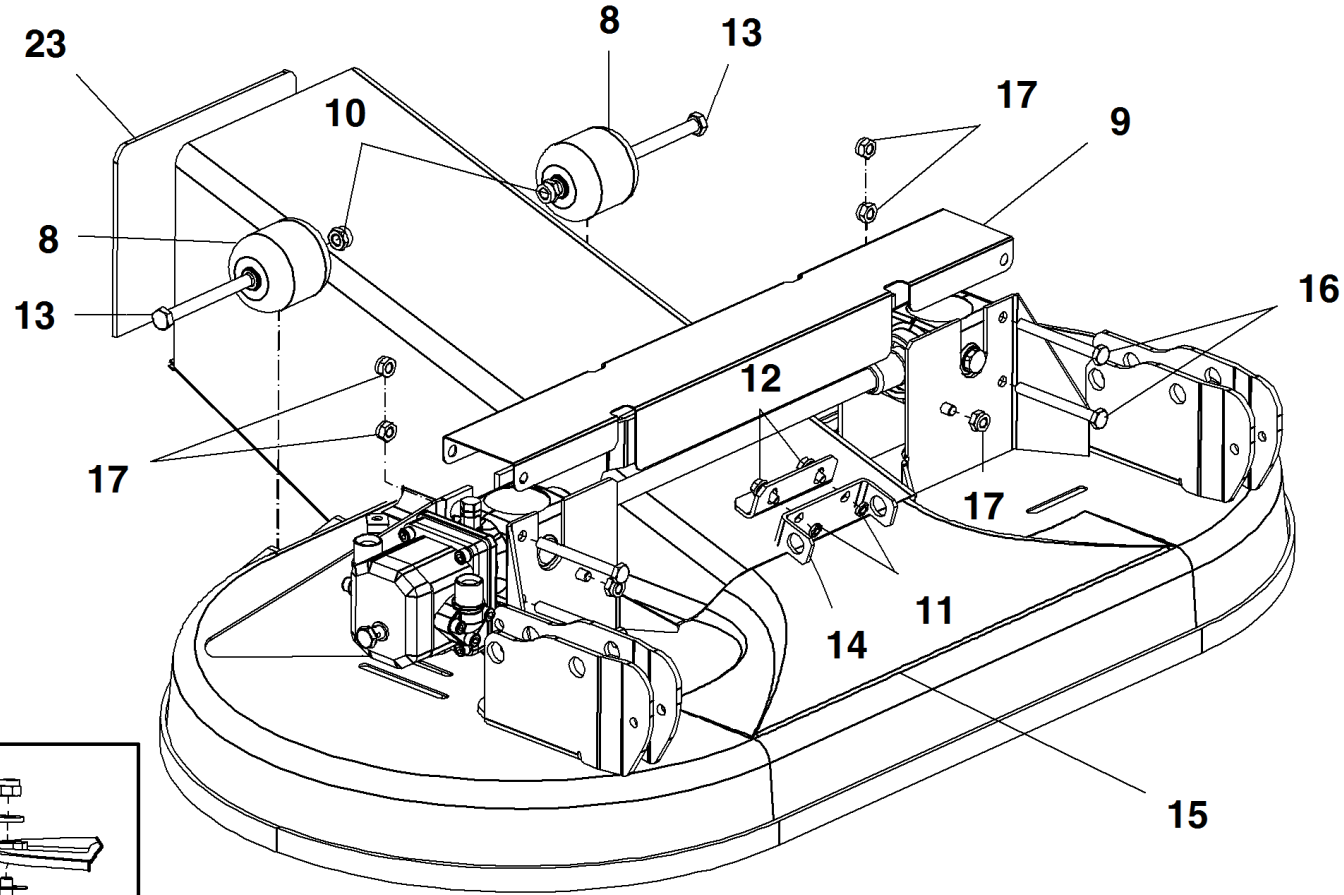
P/N

DESCRIPTION

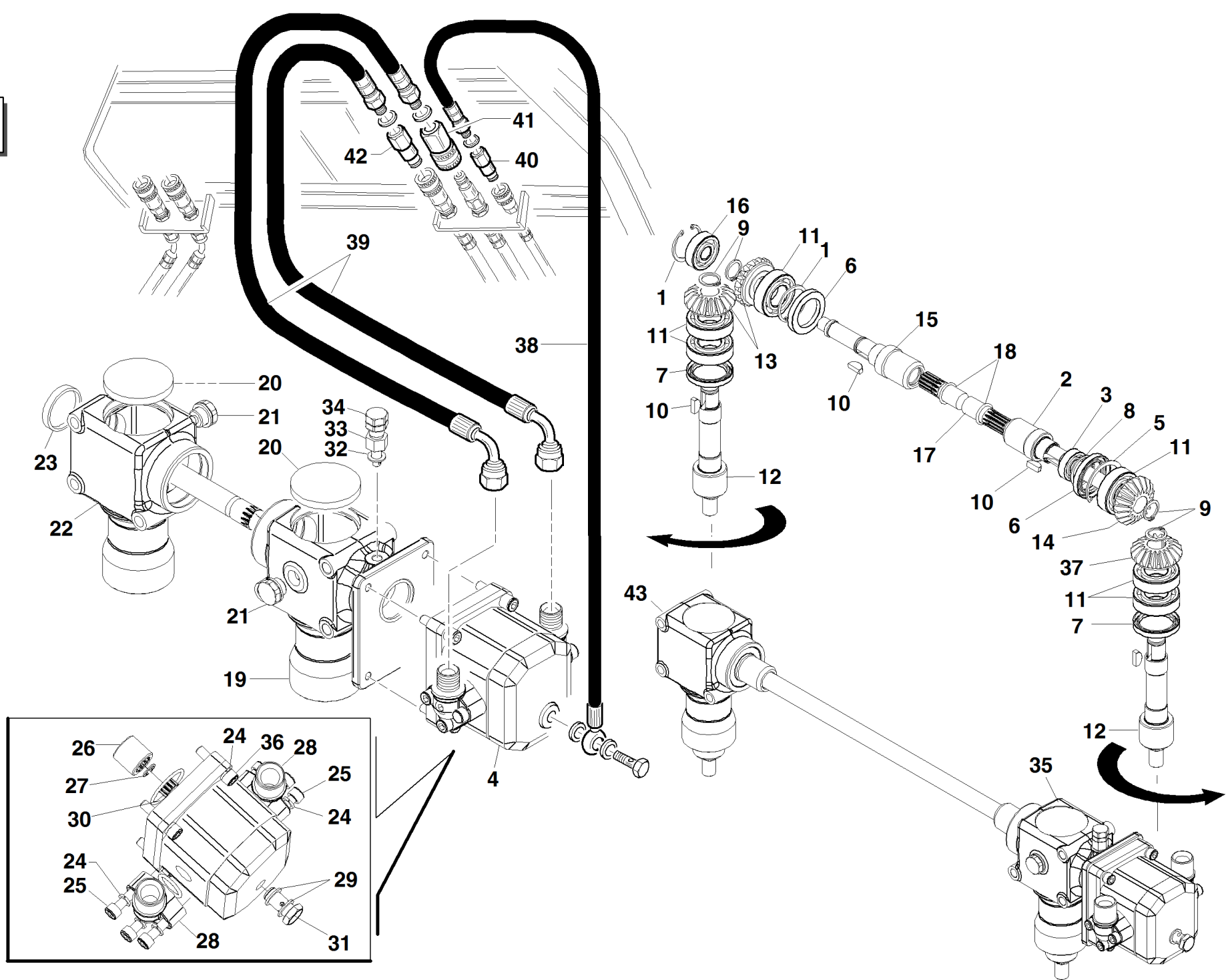
GTS 96 SA

REF. 08-00555501408

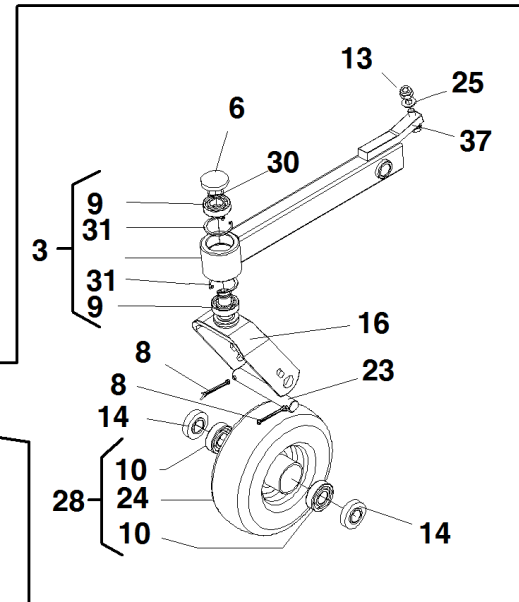
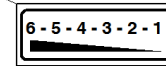
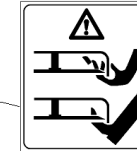
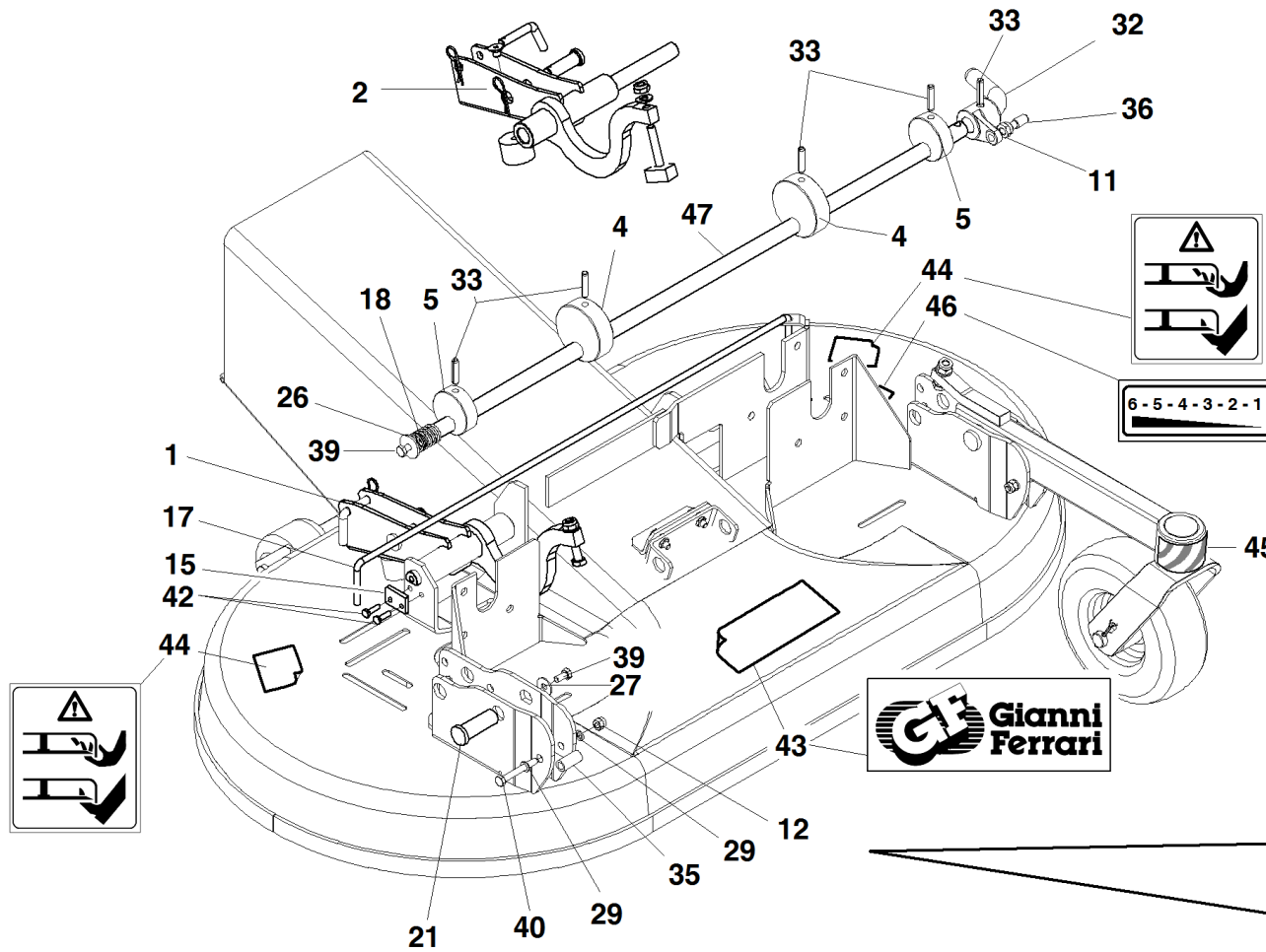
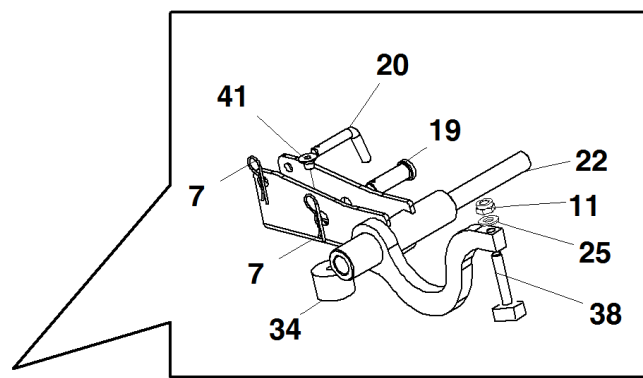
1	95567100000	TG MULCHING CLOSING CAP
2	00111000045	SCREW TE M6X16
3	00111000166	SELF BL. SCREW M6
4	95059130000	COUPLE RIGHT MULCHING BLADE L= 197,5
5	95567000001	MULCHING BLADES DISC
6	95567110000	RIGHT MULCHING DISC
7	95599350000	COMPLETE BLADE SCREW
8	95059120000	COUPLE LEFT MULCHING BLADE L=197,5
9	95567120000	LEFT MULCHING DISC



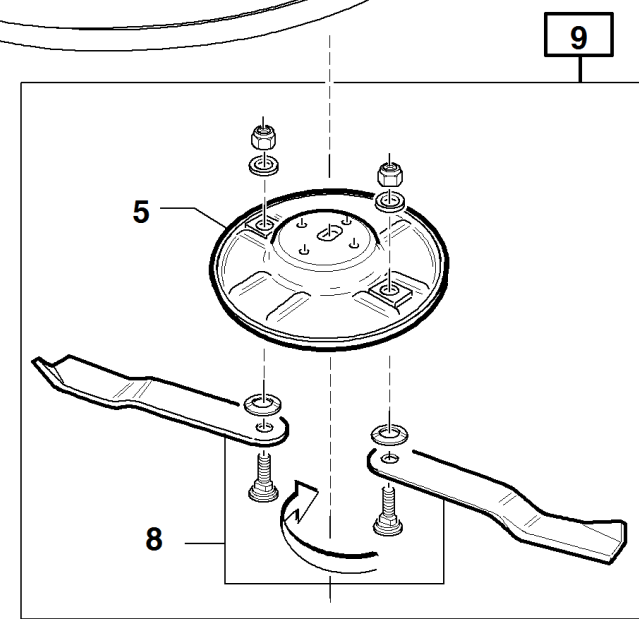
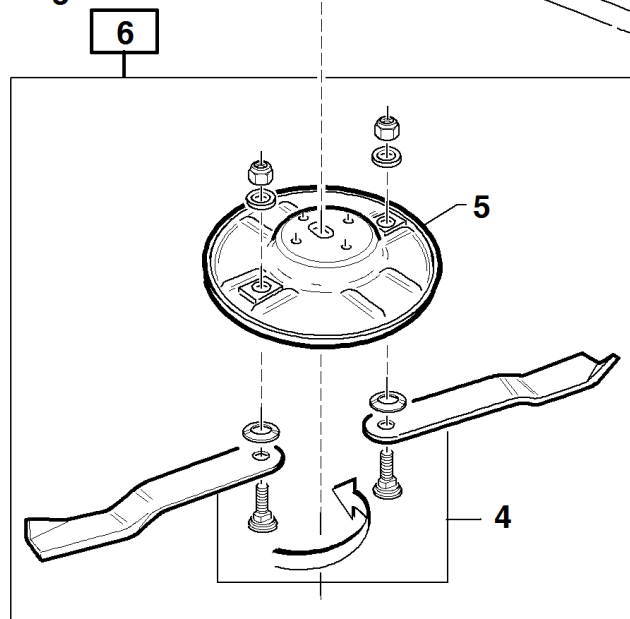
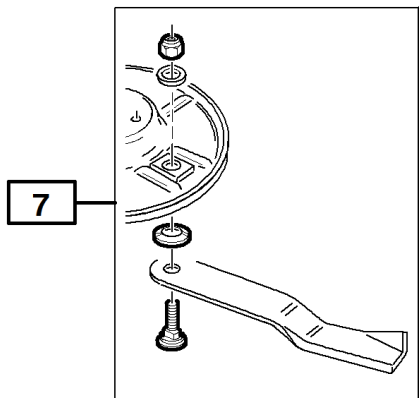
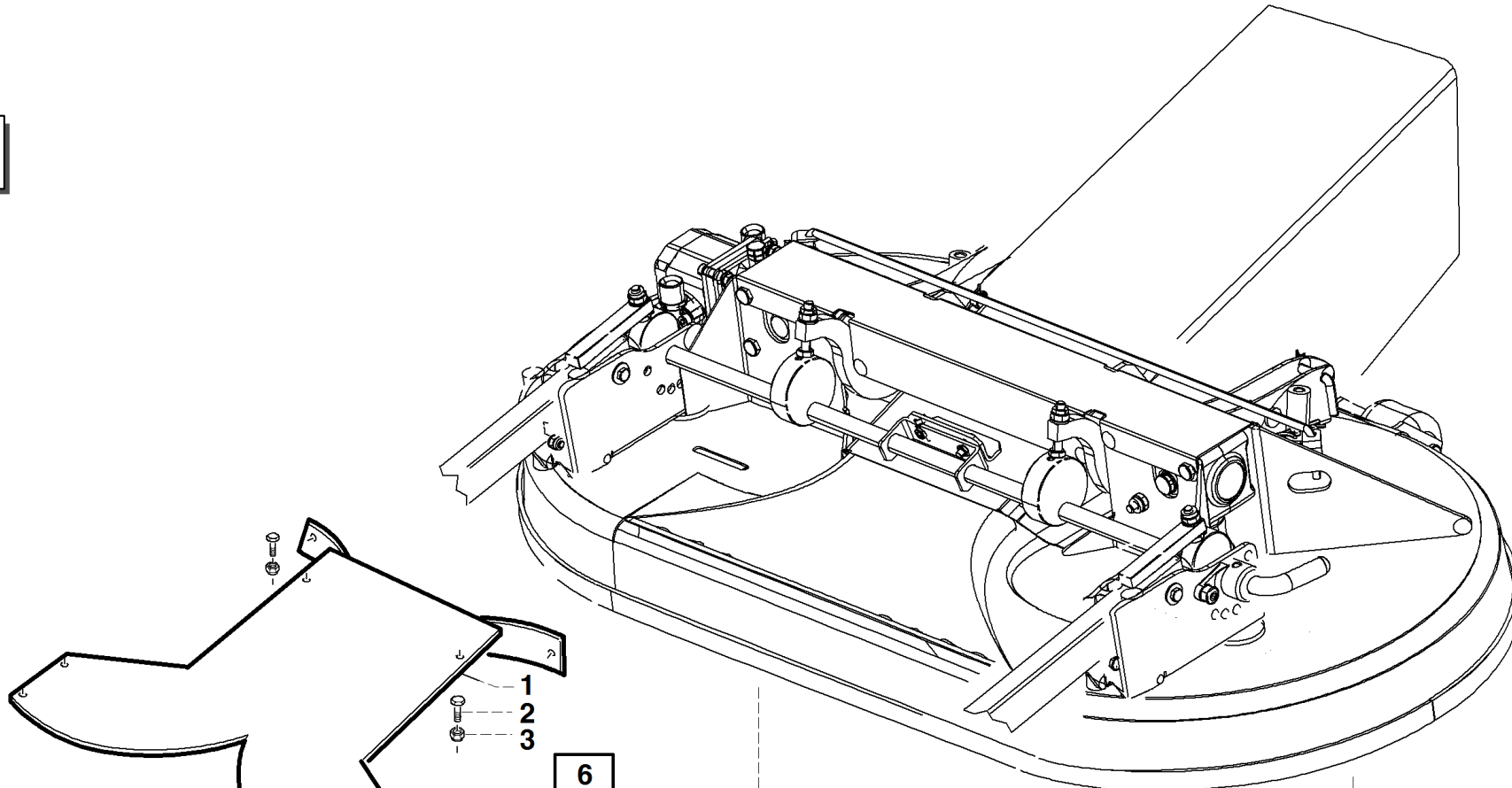
#	P/N	DESCRIPTION	GT 126 SA	REF. 09-00555501409
1	94014201000	TG 200 BLADES DISC		
2	91100190000	COUPLE RIGHT REENTERING BLADE L=175		
3	00111320001	STUD BOLT M8X16		
4	94014000015	RIGHT PULLEY SUPPORT		
5	94014000025	BLADES SHAFT COVER		
6	00111250016	SELF BL. NUT UNI 7474		
7	00111250021	8MA METB NUT		
8	00111970082	WHEEL		
9	91100000003	GEAR COVER		
10	00111250002	SELF BL. NUT M12		
11	00111000134			
12	00111000127	SCREW WASHER M8X20		
13	00111300063	SCREW TE M12X115		
14	91100160001			
15	91100120000	MOWER DECK FRAME 126-SA		
16	00111300023	SCREW UNI 5737 M10X105		
17	00111000080	SELF BLO. SCREW M10		
18	91100200000	COUPLE LEFT REENTERING BLADE L=175		
19	94014000014	BLADE CENTERING SPACER		
20	94014210000	TG200 LEFT BLADES DISC		
21	94014200000	TG200 RIGHT BLADES DISC		
22	95599320000	COMPLETE BLADE SCREW		
23	95504000022	BLACK ABS STRAP		



#	P/N	DESCRIPTION	GT 126 SA	REF. 10-00555501410
1	00111650002	SNAP RING D.42 I		
2	00777306703	KEYED SHAFT		
3	00777100058	BEARING CLA 6003 - 17X35X10		
4	91100000001	HYDRAULIC ENGINE 17cc		
5	00111650009	SNAP RING D.52 I		
6	00777250017	SEAL WASHER 35X52X7		
7	00777250022	""VITON"" SEAL WASHER 38X52X7"		
8	00111650005	SNAP RING D.35 I		
9	00111650013	SNAP RING D.20X1,5 E		
10	00777305203	SPECIAL TONGUE		
11	00777100017	KOYO BEARING 6205		
12	00777305501	CUTTER BLOCK SHAFT		
13	00777306000	ELIC. BEVEL GEAR PAIR		
14	00777306002	HELICAL GEAR		
15	00777305504	KEYED SHAFT		
16	00777100041	KOYO BEARING 6302		
17	94014000005	SHAFT		
18	00777230006	OR RING 3081		
19	00777306701	GEAR CASE 3 OUTPUT		
20	00777270001	CLOSED CAP 62X7		
21	95599670000	PLUG 3/8		
22	00777305503	GEAR CASE 2 OUTPUT		
23	00777270007	CLOSED CAP 42X7		
24	00111000179	GROWER WASHER M8		
25	00111400045			
26	00777306705	SPLINED BUSHING		
27	00111650031	SNAP RING I X D14 UNI7437		
28	00777600168	"FLANGE 90° BSP 3/4""		
29	00777600001	WASHER COPPER 1/4		
30	00777230022	OR RING GASKET D=2.62 - Di=36.14 VITON		
31	00777600040	SIMPLE CABLE BOLT		
32	00777600045	WASHER COPPER 1/8		
33	00777306702	VALVE LITTLE COLUMN M 1/8 - F 1/4		
34	00777306704	VENT PLUG KMV-14		
35	00777306700	RH 3 OUTPUTS GEARBOX (18/18)		
36	00111400022	ALLEN SCREW		
37	00777306001	HELICAL GEAR		
38	91100000011	HOSE 1/4 1SN M14-1.5-M1/4 L=1280		
39	91100000010	HOSE 5/8 2SC F90°3/4-M1/2 L=1100		
40	00777600163	"MALE RAPID ATTACHMENT 1/4""		
41	00777600160	"FEMALE RAPID ATTACHMENT 1/2""		
42	00777600161	"MALE RAPID ATTACHMENT 1/2""		
43	00777305500	LEFT GEAR BOX 2 OUTPUT		



#	P/N	DESCRIPTION	GT 126 SA	REF. 11-00555501411
1	91100130000	RIGHT ARM ATTACHMENT		
2	91100140000	LEFT ARM ATTACHMENT		
3	91100150000	WHEEL ARM		
4	91100000004	CAM		
5	91100000005	HEIGHT CUTTING REGULATION CAM		
6	00777270007	CLOSED CAP 42X7		
7	00111750004	""BETA DECO"" SPLIT PIN"		
8	00111750005	SPLIT 4X50		
9	00777100006	BEARING 6004 2RS 20X42X12		
10	00777100008	BEARING 6204 2RS 20x47x14		
11	00111000080	SELF BLO. SCREW M10		
12	00111000071	SELF BLO. NUT M8		
13	00111000095	SELF BLO. NUT M8		
14	90110000001	SPACER WHEEL		
15	91100000007	SHAFT BLOCK		
16	95139201000	WHEEL TROLLEY FORK		
17	91100000008	CLEANING HOOK		
18	95220110005	SPRING D=20.7 L=51.5		
19	95139100003	TROLLEY BLOCKING PIN		
20	94014000009	LOCKING TROLLEY PIN		
21	95220100002	TROLLEY BLOCKING PIN		
22	91100000006	MOWER DECK PIN		
23	95139200001	TROLLEY SHAFT WHEEL		
24	00111940022	8x3.00-4 TYRE		
25	00111000015	WASHER D.10,5X21X2		
26	00111000132	WASHER P. 8,4X32X2,5 ZNT		
27	00111000061	WASHER 8.4X24X2		
28	95139205000	FILLED WHEEL 8x3.00-4		
29	00111000041	WASHER 8X25X1.5		
30	00111650013	SNAP RING D.20X1,5 E		
31	00111650002	SNAP RING D.42 I		
32	95220110003	CAM SELECTOR WITH HANDLE		
33	00111700012	ELASTIC PIN 8X36		
34	00111970038	VIBRATION-DAMPING STOPPER M10 F		
35	95220100006	HOSE FOR FRONT ARM		
36	95220110004	CAMSHAFT SELCTOR SCREW		
37	00111300018	SCREW TE M10X35		
38	00111300029	SCREW TE M10X55		
39	00111000081	SCREW TE M8X16		
40	00111300027	SCREW TE M8X60 ZNT		
41	00111350036			
42	00111300011	SCREW TE M6X20		
43	00555200165	YELLOW GIANNI FERRARI TRANSF. PRINTING		
44	00555000029	TRANSFER PRINTING MOWER DECK		
45	95139000002	REFRACTING W/R TAPE L=140		
46	00555200170	TRANSFER PRINT.CUTTING HEIGHT ADJ.		
47	91100000002	CAM ROD		



#

P/N

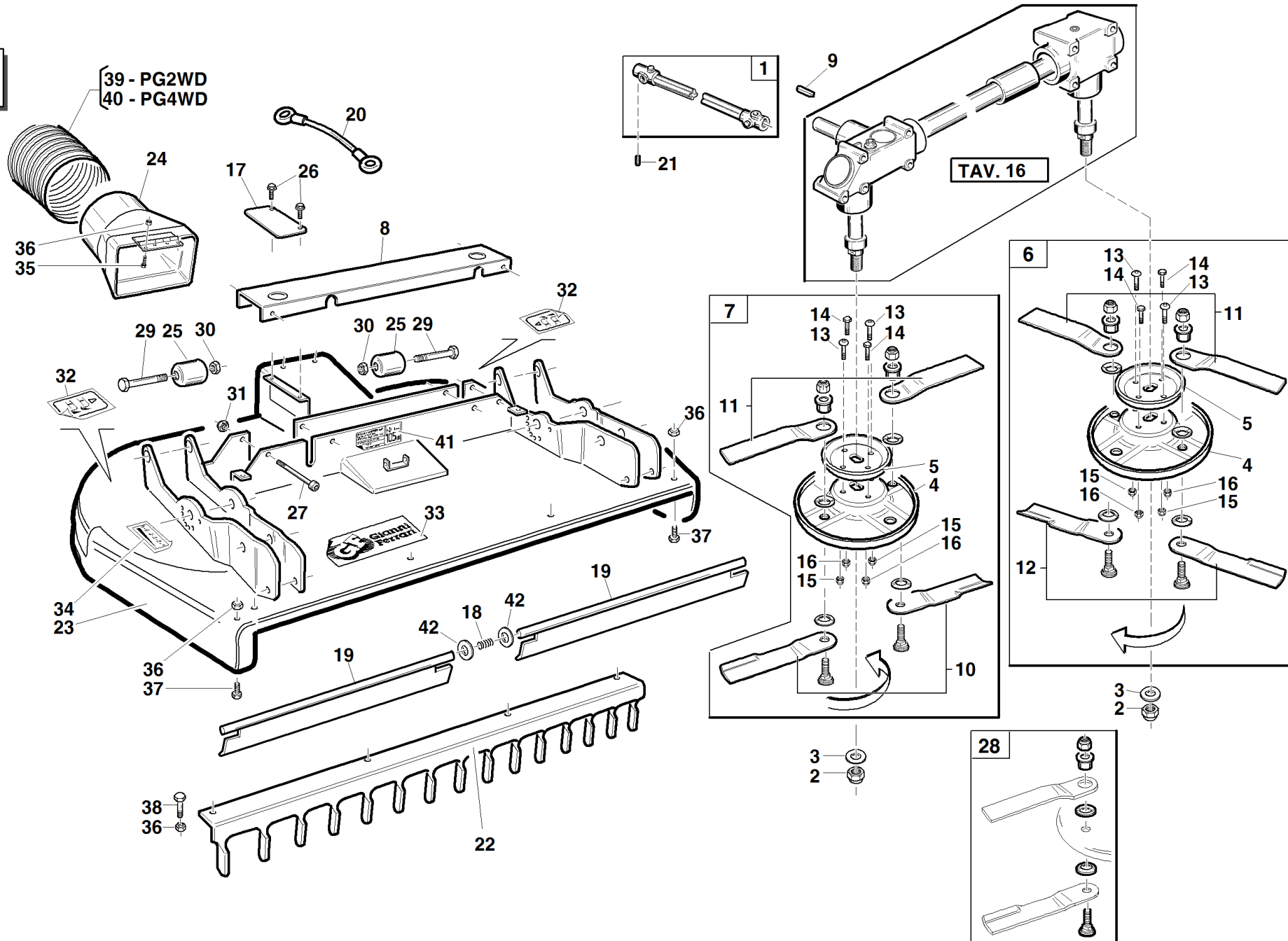
DESCRIPTION

GT 126 SA

REF. 12-00555501412

1	94018100000	TG200 MULCHING CLOSING
2	00111300011	SCREW TE M6X20
3	00111000035	SELF BLOC. NUT M6
4	95121120000	COUPLE MULCHING 1200 RIGHT KNIFE L= 225
5	95006500000	BLADES DISC
6	94018110000	TG200 RIGHT MULCHING DISC
7	95599320000	COMPLETE BLADE SCREW
8	95121130000	COUPLE MULCHING 1200 LEFT KNIFE L=225
9	94018120000	TG200 LEFT MULCHING DISC

PIATTO 126 SA



#

P/N

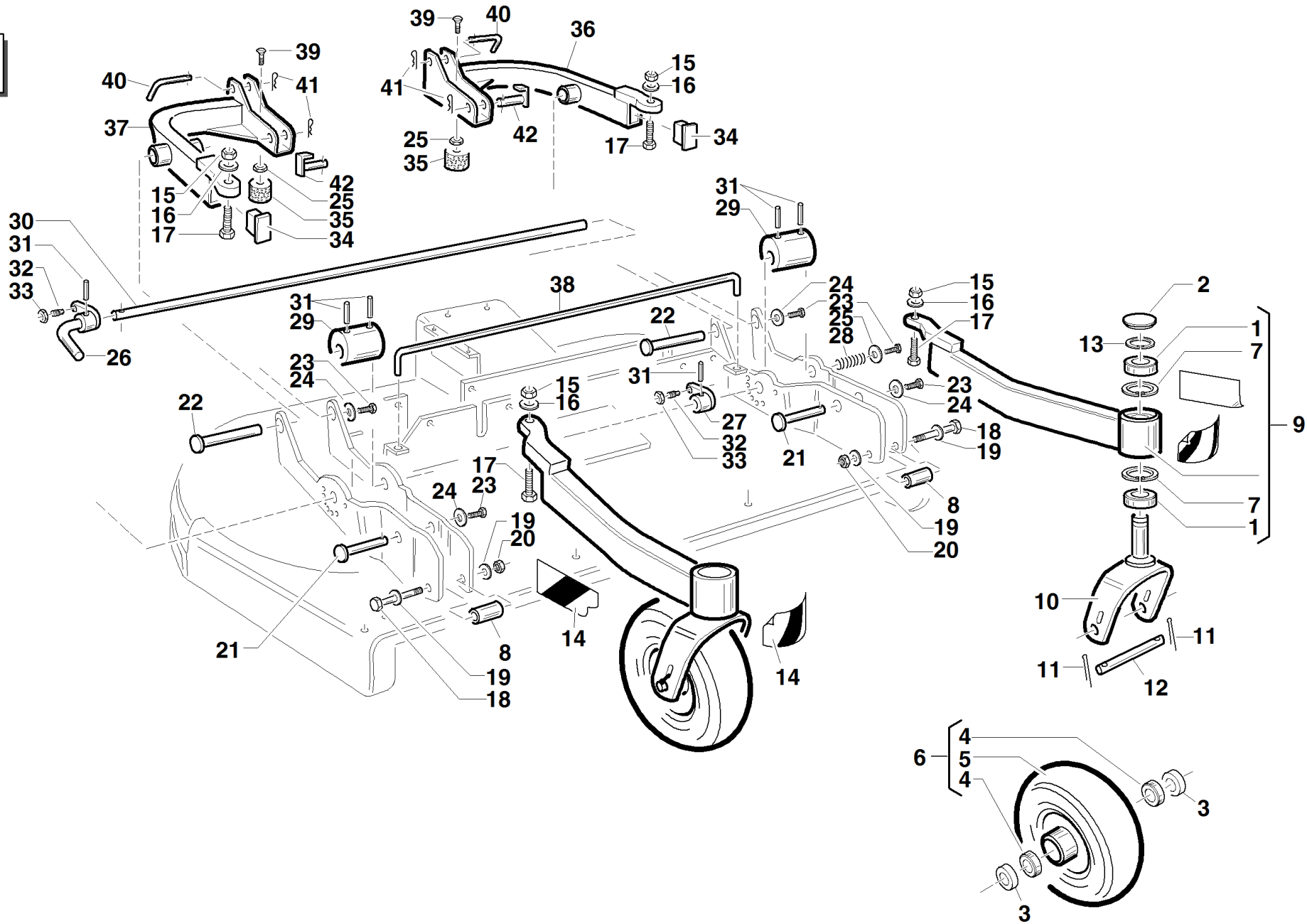
DESCRIPTION

PIATTO 126 SA

REF. 13-00555501413

1	00777202200	COMPLETE CARDAN SHAFT		
2	00111250001	SELF BL. NUT M16		
3	95023000001	BLADE CENTERING SPACER		
4	95102130003	1200 BLADES DISC Ø250		
5	PC95006700001	BLADES TRANSMISSION CUP		
6	95139101000	LEFT126 BLADES DISC		
7	95139101100	RIGHT PG 126 BLADES DISC		
8	95102000004	GEAR BOX COVER		
9	00111000174	TONGUE A 6X6X30		
10	95220140000	COUPLE 1200 RIGHT BLADE L=122		
11	95220150000	COUPLE 1200 UPPER BLADE L=221		
12	95220130000	COUPLE 1200 LEFT BLADE L=222		
13	00111350020	SCREW TBEI M10X20		
14	00111000093	SCREW TE M8X20		
15	00111000080	SELF BLO. SCREW M10		
16	00111000071	SELF BLO. NUT M8		
17	95139100001	CARDAN PROTECTION		
18	95139100002	SPRING		
19	95139101800	COMPLETE STRAP		
20	95220000001	ATTACHMENT SAFETY CABLE L=330mm		
21	00111960002	GRUB M8X16		
22	95220100005	FRONT MOWER DECK PROTECTION		
23	95220101000	PG/SA 126 MOWER DECK COMPL.		
24	95220101500	GRASS CONVEYOR		
25	00111970082	WHEEL		
26	00111450005	SCREW/W M6X16		
27	00111400014	ALLEN SCREW M10X110		
28	95599130000	COMPLETE BLADE SCREW		
29	00111300063	SCREW TE M12X115		
30	00111250002	SELF BL. NUT M12		
31	00111000080	SELF BLO. SCREW M10		
32	00111000029			
33	00555200165	YELLOW GIANNI FERRARI TRANSF. PRINTING		
34	00555200170	TRANSFER PRINT.CUTTING HEIGHT ADJ.		
35	00111450014	SCREW FR M6X12		
36	00111000035	SELF BLOC. NUT M6		
37	00111000137	SCREW TE M6X25		
38	00111000045	SCREW TE M6X16		
39	95006000002	BRANCH PIPE		
40	95220100004	BRANCH PIPE		
41	00555200152	126 MOWER DECK NOISE TRANSFER PRINT.		
42	00111500022	WASHER 8.5X14X1.5		

PIATTO 126 SA



#

P/N

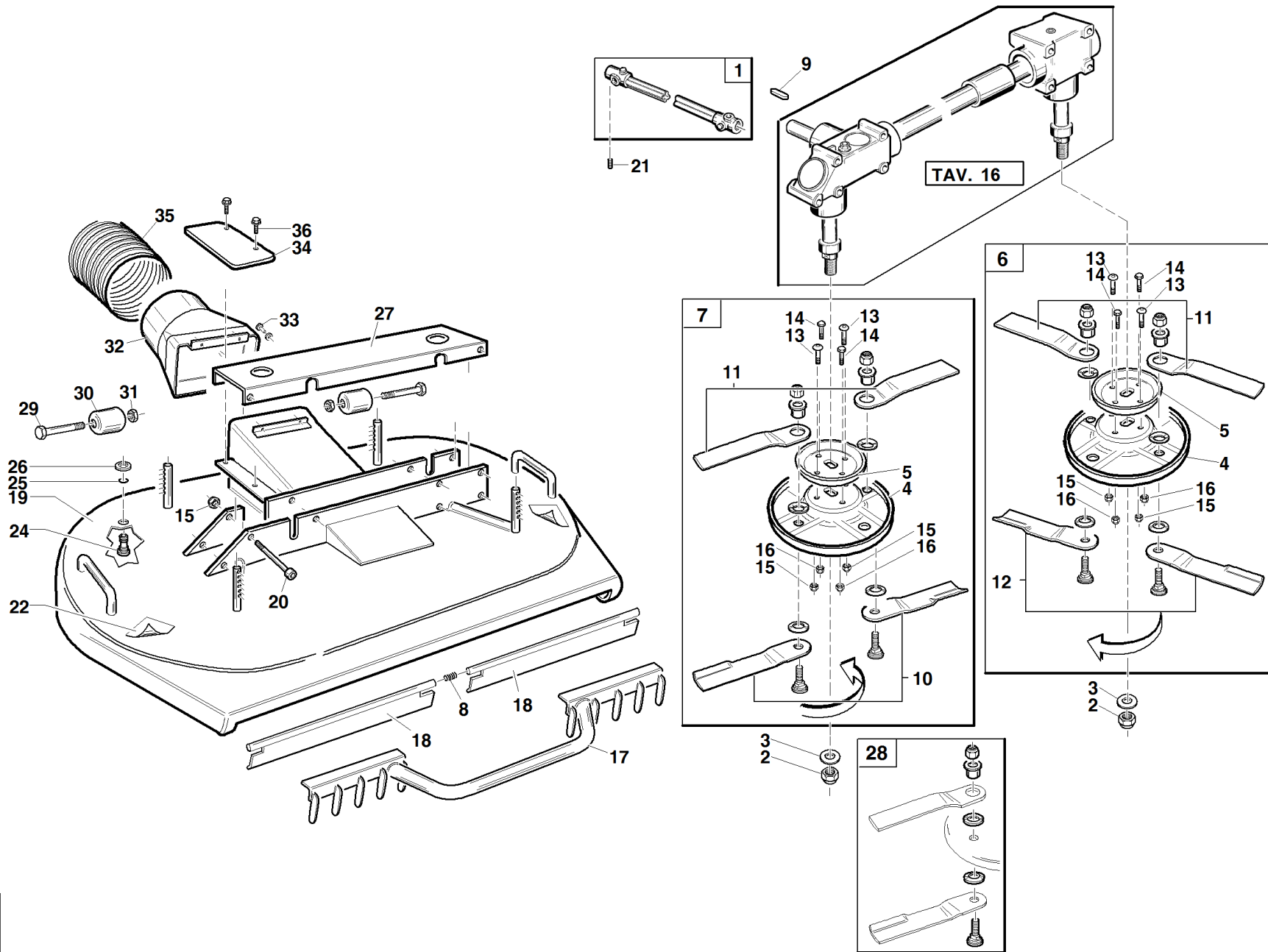
DESCRIPTION

PIATTO 126 SA

REF. 14-00555501414

1	00777100006	BEARING 6004 2RS 20X42X12
2	00777270007	CLOSED CAP 42X7
3	90110000001	SPACER WHEEL
4	00777100008	BEARING 6204 2RS 20x47x14
5	00111940022	8x3.00-4 TYRE
6	95139205000	FILLED WHEEL 8x3.00-4
7	00111650002	SNAP RING D.42 I
8	95220100006	HOSE FOR FRONT ARM
9	95599560000	ASSEMBLED FRONT TROLLEY ARM
10	95139201000	WHEEL TROLLEY FORK
11	00111750005	SPLIT 4X50
12	95139200001	TROLLEY SHAFT WHEEL
13	00111000057	SNAP RING D.20 E
14	95139000002	REFRACTING W/R TAPE L=140
15	00111150019	NUT M14 6S
16	00111500004	WASHER 15,2X28X2.5
17	00111300073	SCREW TE M14X50
18	00111300027	SCREW TE M8X60 ZNT
19	00111500022	WASHER 8.5X14X1.5
20	00111000071	SELF BLO. NUT M8
21	95220100002	TROLLEY BLOCKING PIN
22	95220100001	TROLLEY BLOCKING PIN
23	00111000081	SCREW TE M8X16
24	00111000061	WASHER 8.4X24X2
25	00111000132	WASHER P. 8,4X32X2,5 ZNT
26	95220110003	CAM SELECTOR WITH HANDLE
27	95220110002	CAMSHAFT SELECTOR
28	95220110005	SPRING D=20.7 L=51.5
29	95220110001	HEIGHT CUTTING REGULATION CAM
30	95220100003	CAMSHAFT
31	00111700012	ELASTIC PIN 8X36
32	95220110004	CAMSHAFT SELCTOR SCREW
33	00111150012	NUT M12
34	00111970181	RECTANGULAR PUSH ROD 50X30
35	00111970180	VIBRATION DAMPING STOPPER M8
36	95220111000	ASSEMBLED REAR LEFT ARM
37	95220111100	ASSEMBLED REAR RIGHT ARM
38	94014000024	GRASS CLEANING HOOK
39	00111350004	SCREW TSPEI M8X16
40	95125000009	PIN
41	00111750004	""BETA DECO"" SPLIT PIN"
42	95139100003	TROLLEY BLOCKING PIN
42	95220120000	LOCKING TROLLEY PIN

PIATTO 126



S/N
→ **04318709**

REF. 15-00555501431

#

P/N

DESCRIPTION

PIATTO 126

REF. 15-00555501431

1	00777202200	COMPLETE CARDAN SHAFT
2	00111250001	SELF BL. NUT M16
3	95023000001	BLADE CENTERING SPACER
4	95102130003	1200 BLADES DISC Ø250
5	PC95006700001	BLADES TRANSMISSION CUP
6	95139101000	LEFT126 BLADES DISC
7	95139101100	RIGHT PG 126 BLADES DISC
8	95139100002	SPRING
9	00111000174	TONGUE A 6X6X30
10	95220140000	COUPLE 1200 RIGHT BLADE L=122
11	95220150000	COUPLE 1200 UPPER BLADE L=221
12	95220130000	COUPLE 1200 LEFT BLADE L=222
13	00111350020	SCREW TBEI M10X20
14	00111000093	SCREW TE M8X20
15	00111000080	SELF BLO. SCREW M10
16	00111000071	SELF BLO. NUT M8
17	95139110000	FRONT MOWER DECK PROTECTION
18	95139101800	COMPLETE STRAP
19	95139101600	PG 1200 MOWER DECK FRAME
20	00111400014	ALLEN SCREW M10X110
21	00111960002	GRUB M8X16
22	00555000029	TRANSFER PRINTING MOWER DECK
24	95566000004	CONNECTION
25	00777230005	OR RING 3043
26	00111170001	SELF METAL RING M17X1
27	95102000004	GEAR BOX COVER
28	95599130000	COMPLETE BLADE SCREW
29	00111300063	SCREW TE M12X115
30	00111970082	WHEEL
31	00111250002	SELF BL. NUT M12
32	95006000001	GRASS CONVEYOR
33	00111800004	RIVET D.4.8X16X20
34	PC95023000002	CARDAN PROTECTION
35	95006000002	BRANCH PIPE
36	00111450005	SCREW/W M6X16

#

P/N

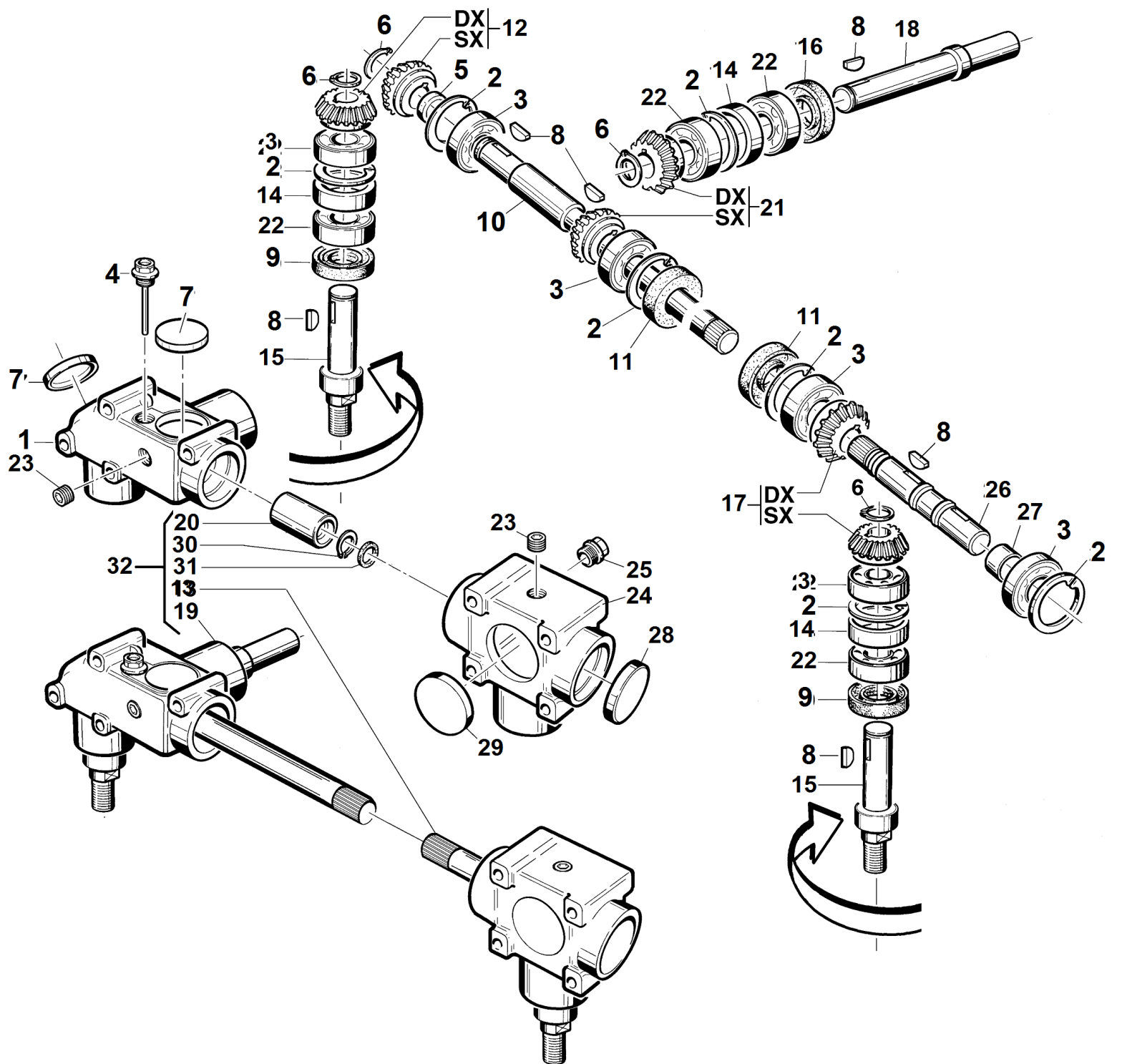
DESCRIPTION

PIATTO 126

REF. 15-00555501415

1	95599380000	COMPLETE CARDAN SHAFT
2	00111250001	SELF BL. NUT M16
3	95023000001	BLADE CENTERING SPACER
4	95102130003	1200 BLADES DISC Ø250
5	PC95006700001	BLADES TRANSMISSION CUP
6	95139101000	LEFT126 BLADES DISC
7	95139101100	RIGHT PG 126 BLADES DISC
8	95139100002	SPRING
9	00111000174	TONGUE A 6X6X30
10	95220140000	COUPLE 1200 RIGHT BLADE L=122
11	95220150000	COUPLE 1200 UPPER BLADE L=221
12	95220130000	COUPLE 1200 LEFT BLADE L=222
13	00111350020	SCREW TBEI M10X20
14	00111000093	SCREW TE M8X20
15	00111000080	SELF BLO. SCREW M10
16	00111000071	SELF BLO. NUT M8
17	95139110000	FRONT MOWER DECK PROTECTION
18	95139101800	COMPLETE STRAP
19	95139101600	PG 1200 MOWER DECK FRAME
20	00111400014	ALLEN SCREW M10X110
21	00111960002	GRUB M8X16
22	00555000029	TRANSFER PRINTING MOWER DECK
24	95566000004	CONNECTION
25	00777230005	OR RING 3043
26	00111170001	SELF METAL RING M17X1
27	95102000004	GEAR BOX COVER
28	95599130000	COMPLETE BLADE SCREW
29	00111300063	SCREW TE M12X115
30	00111970082	WHEEL
31	00111250002	SELF BL. NUT M12
32	95006000001	GRASS CONVEYOR
33	00111800004	RIVET D.4.8X16X20
34	PC95023000002	CARDAN PROTECTION
35	95006000002	BRANCH PIPE
36	00111450005	SCREW/W M6X16

PIATTO 126



#

P/N

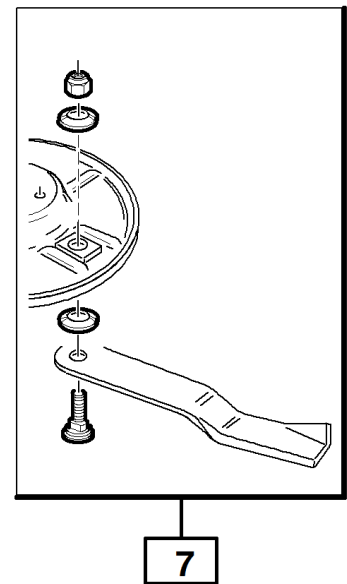
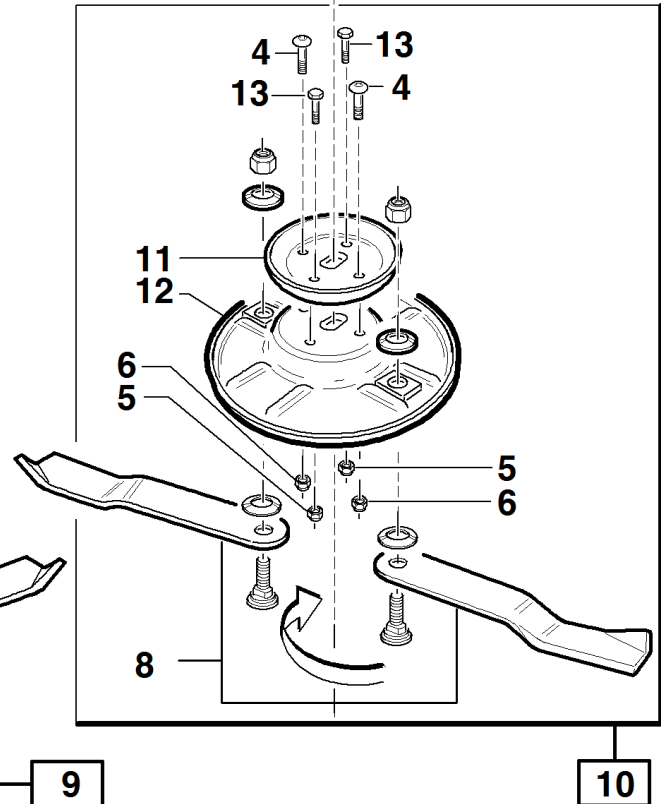
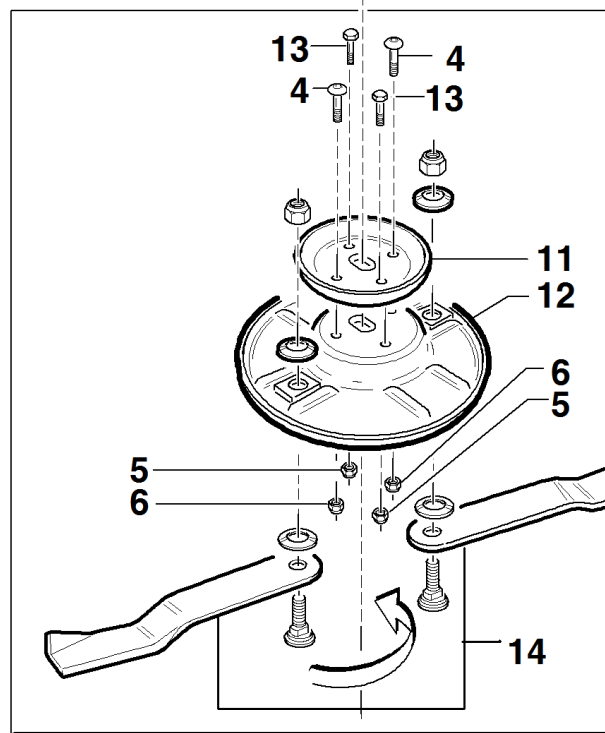
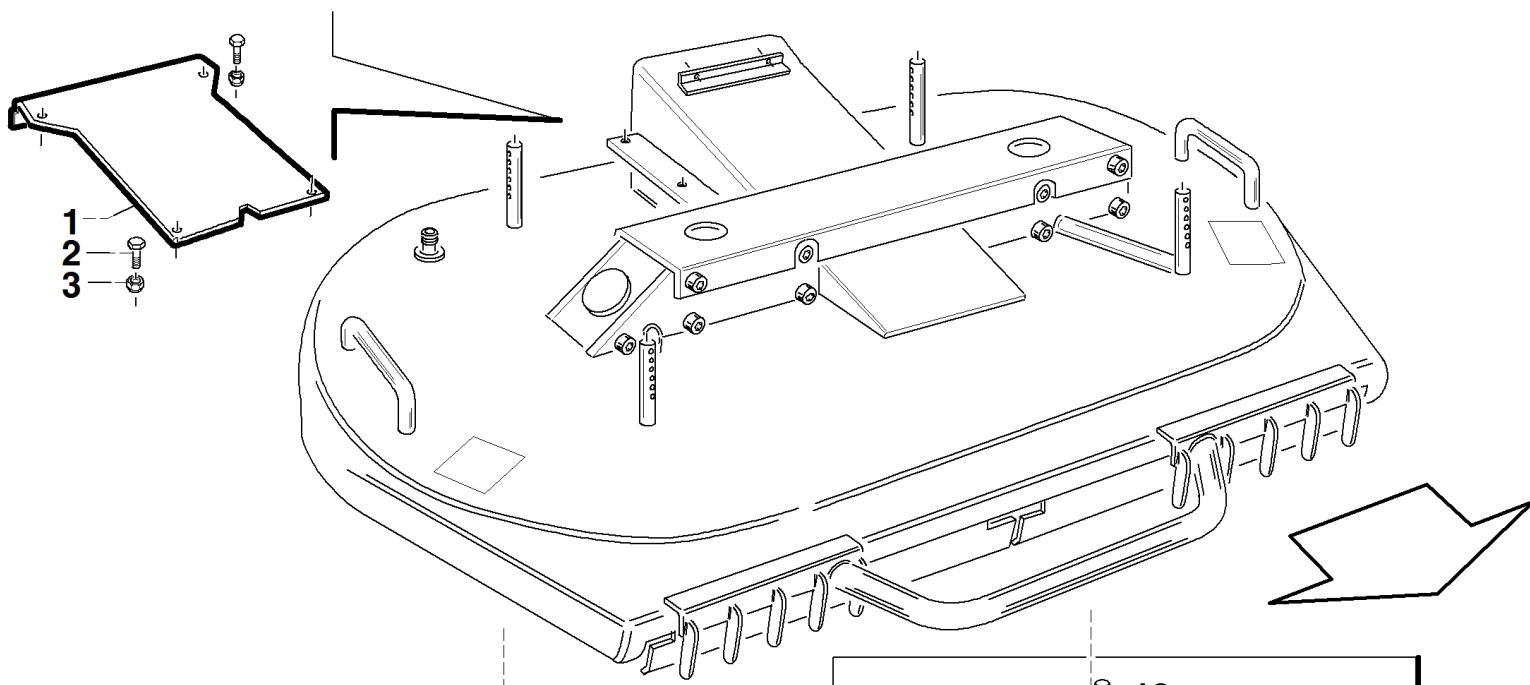
DESCRIPTION

PIATTO 126

REF. 16-00555501416

1	00777305401	GEAR CASE 3 OUTPUT
2	00111650009	SNAP RING D.52 I
3	00777100019	KOYO BEARING 6304 SKF
4	00111990005	COVER FILLING LEVEL 3/8
5	00777305404	SPACER 20.5X29X5
6	00111650013	SNAP RING D.20X1,5 E
7	00777270008	CLOSED CAP 68X8
8	00777305203	SPECIAL TONGUE
9	00777250015	SEAL WASHER AS 38X52X7
10	00777305406	THROUGH SHAFT
11	00777250007	SEAL WASHER AS 20X52X10
12	00777306300	ELIC. BEVEL GEAR PAIR
13	00777305900	GEAR BOX 2 OUTPUT (16/19)
14	00777305103	SPACER 39.2X51.5 L=10.25
15	00777305202	CUTTER BLOCK SHAFT
16	00777250005	SEAL WASHER BASL 30X52X7
17	00777306200	ELIC. BEVEL GEAR PAIR
18	00777305405	SMOOTH SHAFT
19	00777306100	GEAR BOX 3 OUTPUT (17/19-16/19)
20	00777305801	SPLINED BUSHING 20X17
21	00777306105	ELIC.BEVEL GEAR PAIR Z 16/19
22	00777100017	KOYO BEARING 6205
23	00777150003	COVER 3/8 GAS WITHICAL
24	00777305205	GEAR CASE
25	00777150002	"COVER 3/8" GAS"
26	00777305201	KEYED SHAFT
27	00777305204	SPACER 25X27X20
28	00777270002	CLOSED CAP 52X7
29	00777270001	CLOSED CAP 62X7
30	00111650010	SNAP RING D.17 I
31	00777230002	OR RING 119
32	00777305800	1220 GEAR BOX SET

PIATTO 126



#

P/N

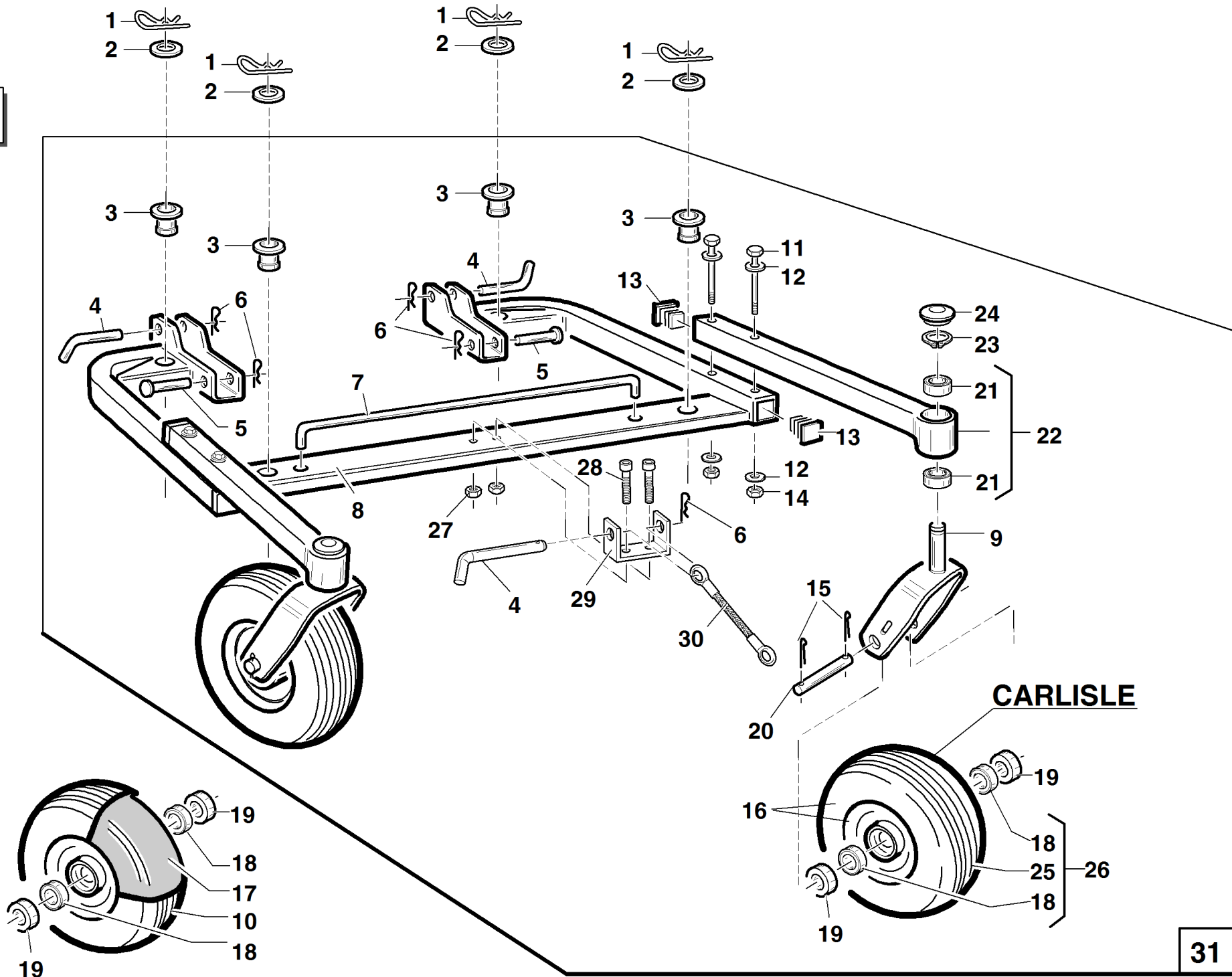
DESCRIPTION

PIATTO 126

REF. 17-00555501417

1	95121110000	PG 1220 MULCHING CLOSING CAP
2	00111300002	SCREW TE M6X12
3	00111000035	SELF BLOC. NUT M6
4	00111350020	SCREW TBEI M10X20
5	00111000071	SELF BLO. NUT M8
6	00111000080	SELF BLO. SCREW M10
7	95599320000	COMPLETE BLADE SCREW
8	95121130000	COUPLE MULCHING 1200 LEFT KNIFE L=225
9	95121200000	PG126 RIGHT MULCHING DISC
10	95121300000	PG126 LEFT MULCHING DISC
11	PC95006700001	BLADES TRANSMISSION CUP
12	95006500000	BLADES DISC
13	00111000093	SCREW TE M8X20
14	95121120000	COUPLE MULCHING 1200 RIGHT KNIFE L= 225

PIATTO 112



#

P/N

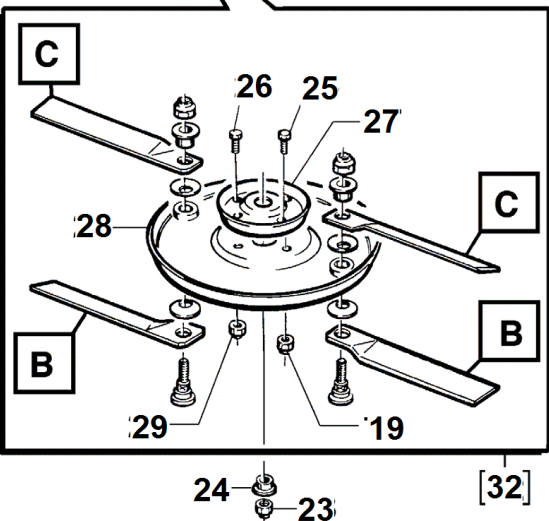
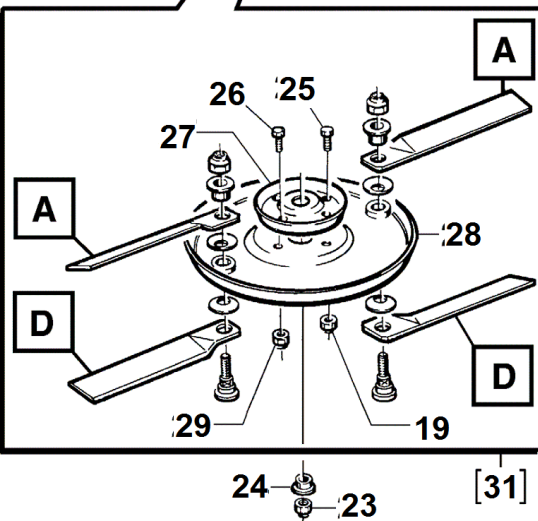
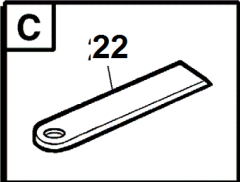
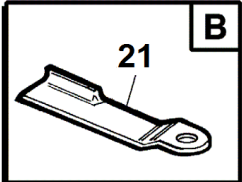
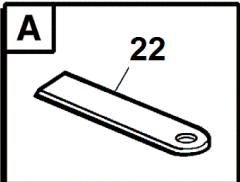
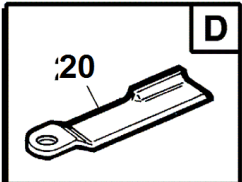
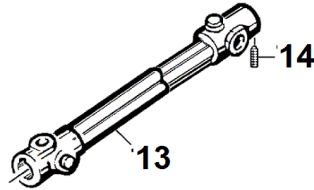
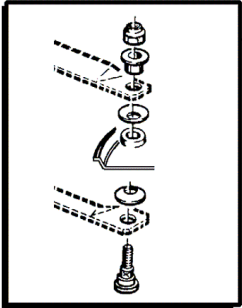
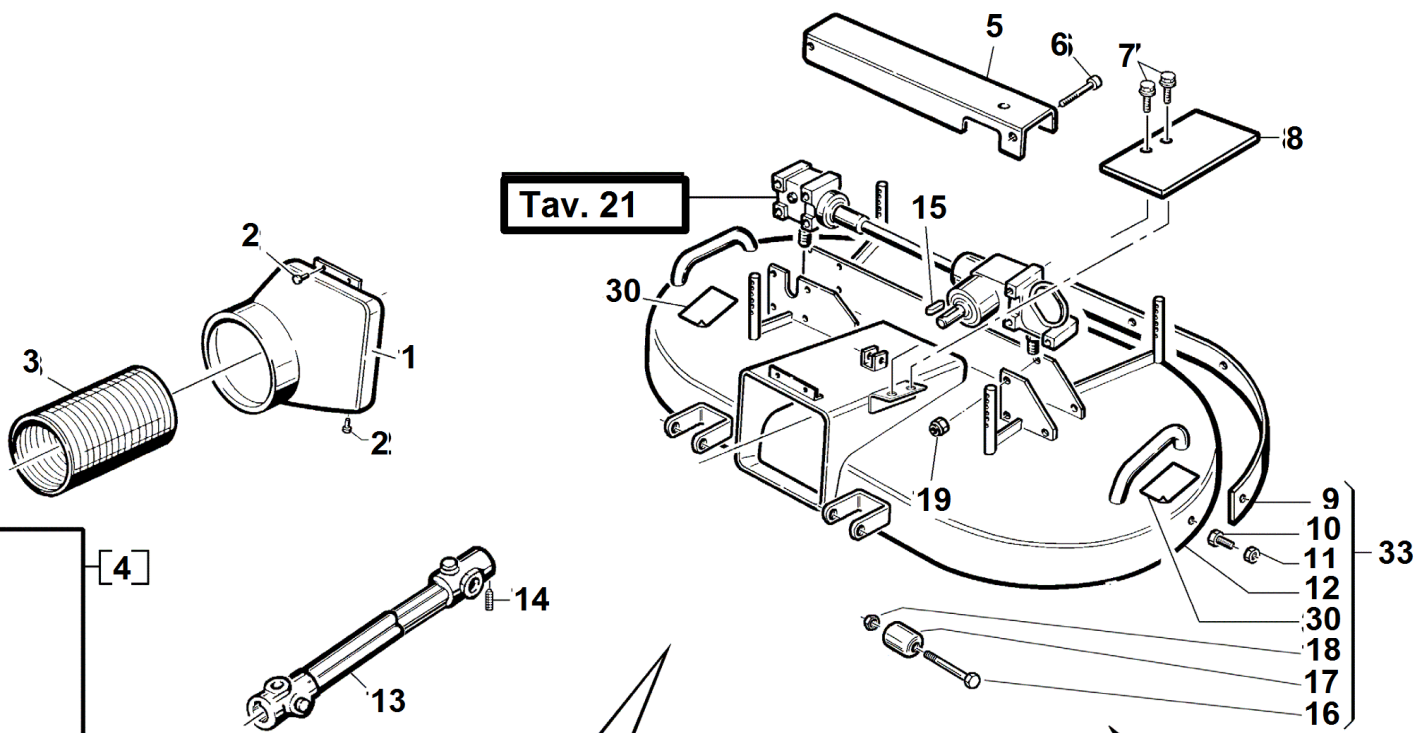
DESCRIPTION

PIATTO 112

REF. 18-00555501418

1	00111000175	"PIN ""R"" D.4"		
2	00111000170	WASHER 17X30X3		
3	90106000007	TROLLEY BUSHING		
4	95125000009	PIN		
5	95139100003	TROLLEY BLOCKING PIN		
6	00111750004	""BETA DECO"" SPLIT PIN"		
7	PZ95006000004	GRASS CLEANING HOOK		
8	95139202000	PG 1100-1200 TROLLEY FRAME		
9	95139201000	WHEEL TROLLEY FORK		
10	00111940019	"PNEUMATIC 8.300X4"" SL 4PR"		
11	00111300058	SCREW TE M8X95		
12	00111000061	WASHER 8.4X24X2		
13	00111970148	RECTANGULAR PUSH ROD 30x40		
14	00111000071	SELF BLO. NUT M8		
15	00111750005	SPLIT 4X50		
16	95139206000	WHEEL 8X3.00.4		
17	00111930011	"INNER TUBE 2.50X4""IS87"		
18	00777100008	BEARING 6204 2RS 20x47x14		
19	90110000001	SPACER WHEEL		
20	95139200001	TROLLEY SHAFT WHEEL		
21	00777100006	BEARING 6004 2RS 20X42X12		
22	95139204000	WHEEL SUPPORT		
23	00111000057	SNAP RING D.20 E		
24	99076000006	BLACK PLUG		
25	00111940022	8x3.00-4 TYRE		
26	95139205000	FILLED WHEEL 8x3.00-4		
27	00111000035	SELF BLOC. NUT M6		
28	00111450005	SCREW/W M6X16		
29	95162000011	U BOLT		
30	95162000012	ATTACHMENT SAFETY WIRE L=170mm		
31	95139200000	PG 1100-1200 TROLLEY		

PIATTO 112



S/N
→ **04318709**

DA MATRICOLA - FROM MACHINE No.
DÈS LE N ° DE SÈRIE - AB SERIENNUMMER
**** 04318709 *****

REF. 19-00555501432

#

P/N

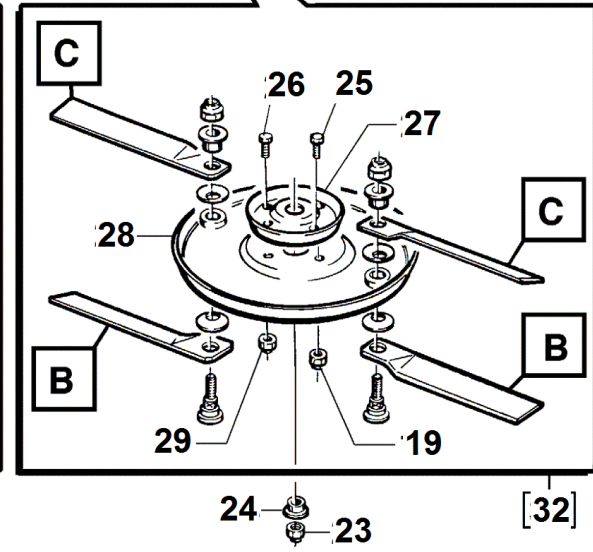
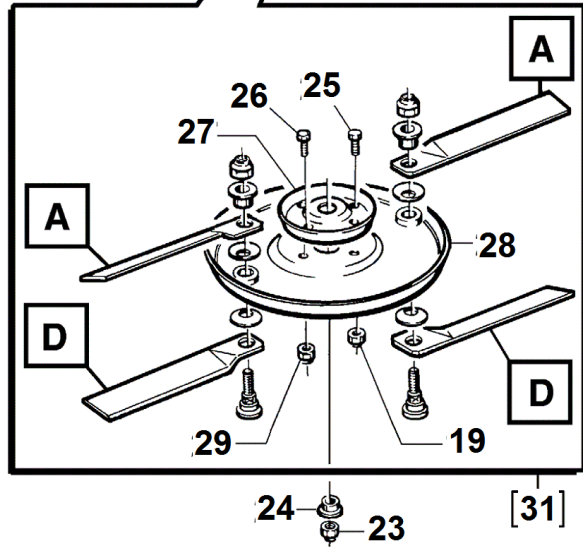
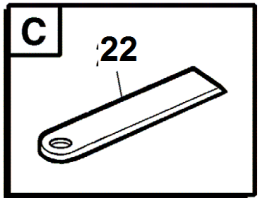
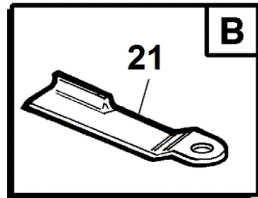
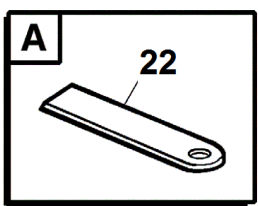
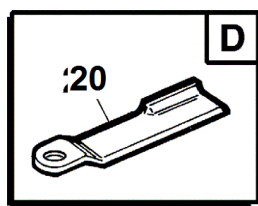
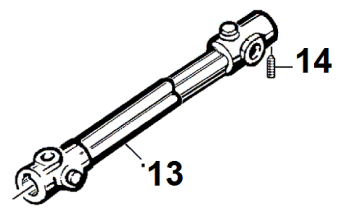
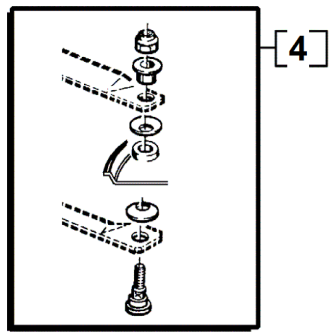
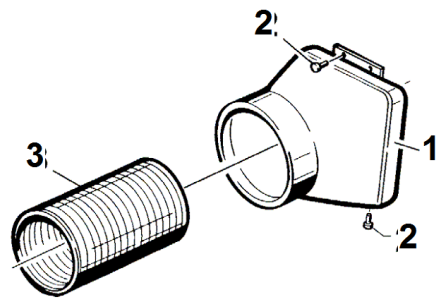
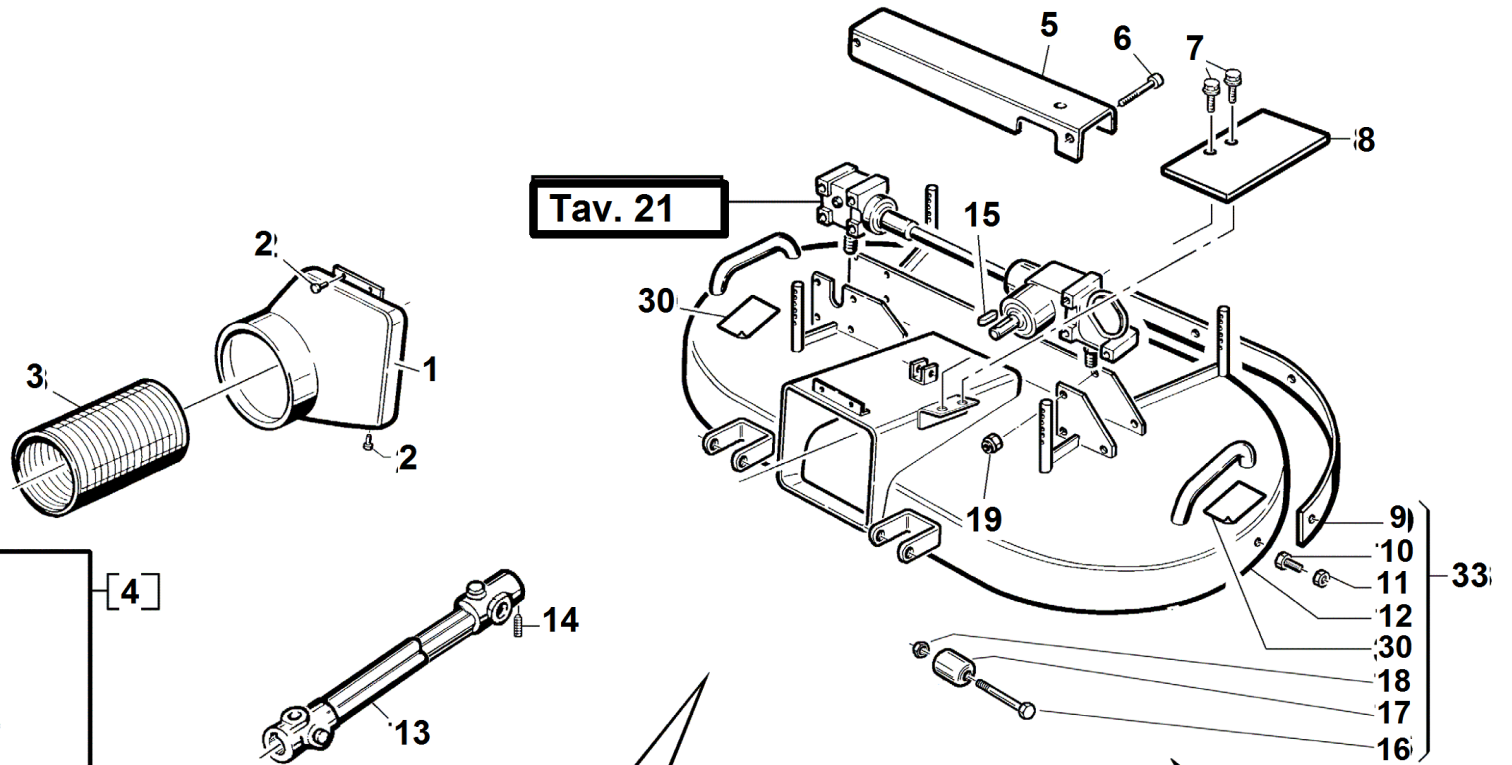
DESCRIPTION

PIATTO 112

REF. 19-0055501432

1	95006000001	GRASS CONVEYOR
2	00111800004	RIVET D.4.8X16X20
3	95006000002	BRANCH PIPE
4	95599130000	COMPLETE BLADE SCREW
5	PC95006000005	GEAR BOX COVER
6	00111400007	ALLEN SCREW M10X95
7	00111450005	SCREW/W M6X16
8	95139100001	CARDAN PROTECTION
9	PV95023000004	FRONT MOWER DECK PROTECTION
10	00111300002	SCREW TE M6X12
11	00111000035	SELF BLOC. NUT M6
12	95122100000	MOWER DECK FRAME
13	00777202200	COMPLETE CARDAN SHAFT
14	00111960002	GRUB M8X16
15	00111000174	TONGUE A 6X6X30
16	00111300063	SCREW TE M12X115
17	00111300083	SCREW M10X1.25X80
18	00111250002	SELF BL. NUT M12
19	00111000080	SELF BLO. SCREW M10
20	95023130000	COUPLE LEFT BLADE L=195
21	95023140000	COUPLE RIGHT BLADE L=195
22	95023150000	COUPLE BLADE L=195
23	00111250001	SELF BL. NUT M16
24	95023000001	BLADE CENTERING SPACER
25	00111350020	SCREW TBEI M10X20
26	00111000093	SCREW TE M8X20
27	PC95006700001	BLADES TRANSMISSION CUP
28	95006500000	BLADES DISC
29	00111000071	SELF BLO. NUT M8
30	00555000029	TRANSFER PRINTING MOWER DECK
31	95006600000	PREASSEMBLY LEFT BLADES DISC 112
32	95006700000	PREASSEMBLY RIGHT BLADES DISC
33	95599220000	1100 MOWER DECK FRAME

PIATTO 112



S/N
 → 04169003 ÷ 04318609 ←

REF. 19-00555501419

#

P/N

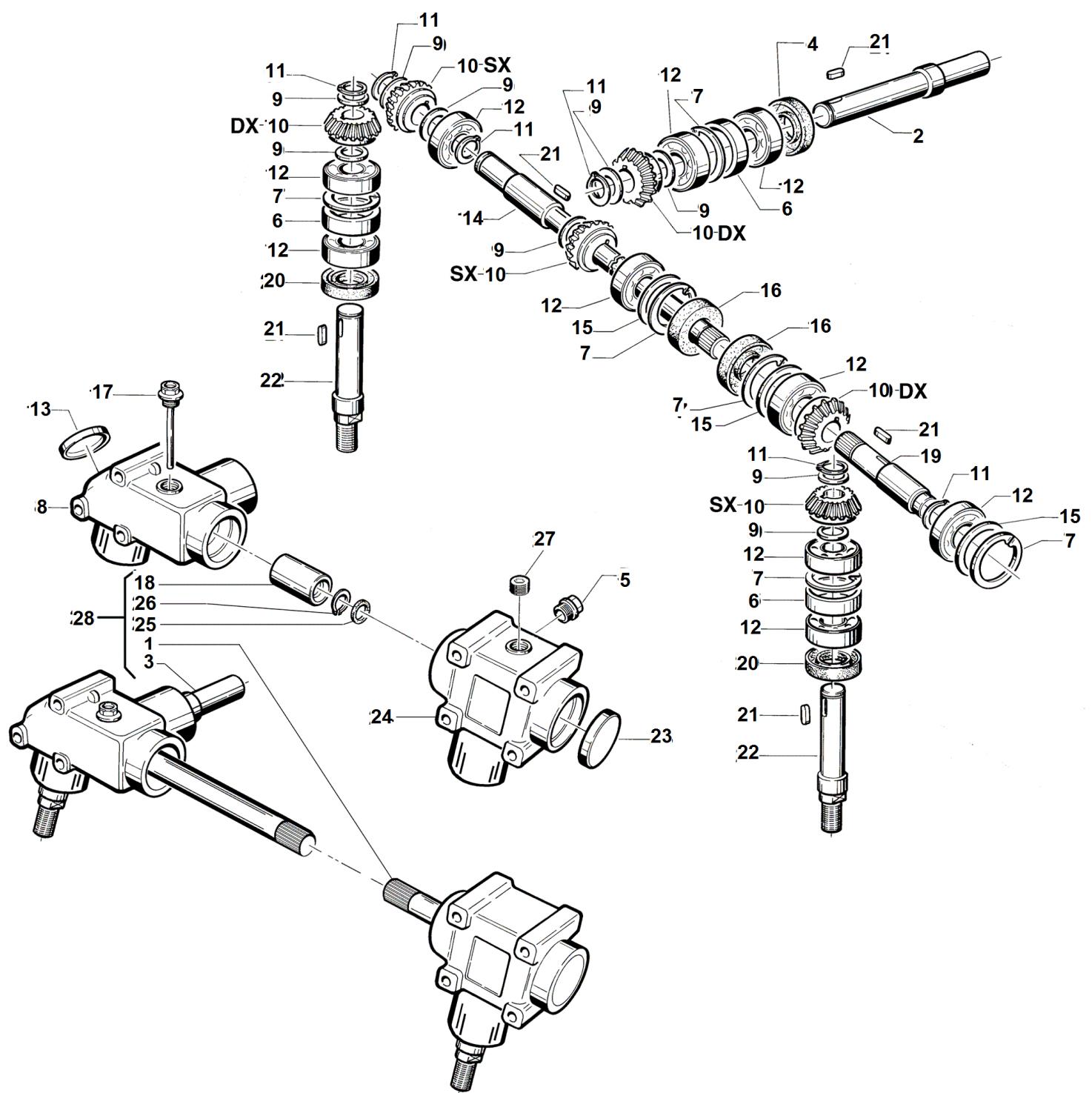
DESCRIPTION

PIATTO 112

REF. 19-00555501419

1	95006000001	GRASS CONVEYOR
2	00111800004	RIVET D.4.8X16X20
3	95006000002	BRANCH PIPE
4	95599130000	COMPLETE BLADE SCREW
5	PC95006000005	GEAR BOX COVER
6	00111400007	ALLEN SCREW M10X95
7	00111450005	SCREW/W M6X16
8	95139100001	CARDAN PROTECTION
9	PV95023000004	FRONT MOWER DECK PROTECTION
10	00111300002	SCREW TE M6X12
11	00111000035	SELF BLOC. NUT M6
12	95122100000	MOWER DECK FRAME
13	95599380000	COMPLETE CARDAN SHAFT
14	00111960002	GRUB M8X16
15	00111000174	TONGUE A 6X6X30
16	00111300063	SCREW TE M12X115
17	00111970082	WHEEL
18	00111250002	SELF BL. NUT M12
19	00111000080	SELF BLO. SCREW M10
20	95023130000	COUPLE LEFT BLADE L=195
21	95023140000	COUPLE RIGHT BLADE L=195
22	95023150000	COUPLE BLADE L=195
23	00111250001	SELF BL. NUT M16
24	95023000001	BLADE CENTERING SPACER
25	00111350020	SCREW TBEI M10X20
26	00111000093	SCREW TE M8X20
27	PC95006700001	BLADES TRANSMISSION CUP
28	95006500000	BLADES DISC
29	00111000071	SELF BLO. NUT M8
30	00555000029	TRANSFER PRINTING MOWER DECK
31	95006600000	PREASSEMBLY LEFT BLADES DISC 112
32	95006700000	PREASSEMBLY RIGHT BLADES DISC
33	95599220000	1100 MOWER DECK FRAME

PIATTO 112



#

P/N

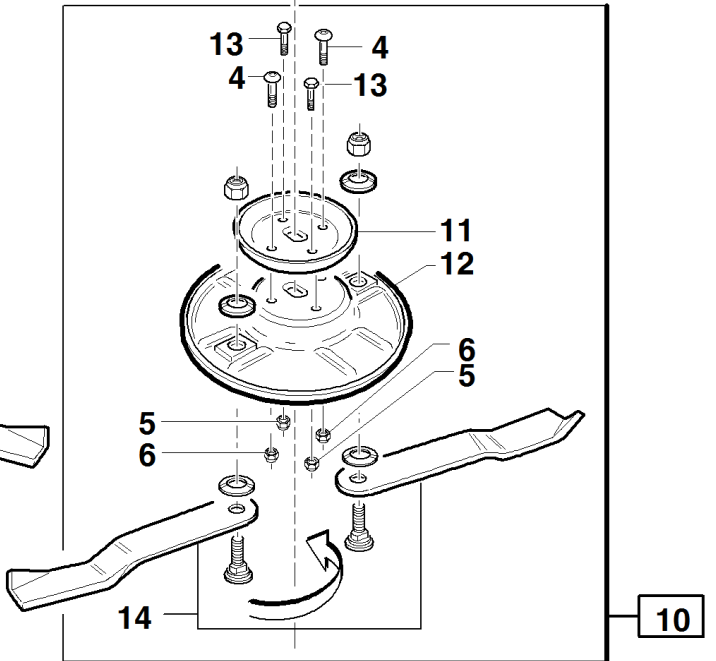
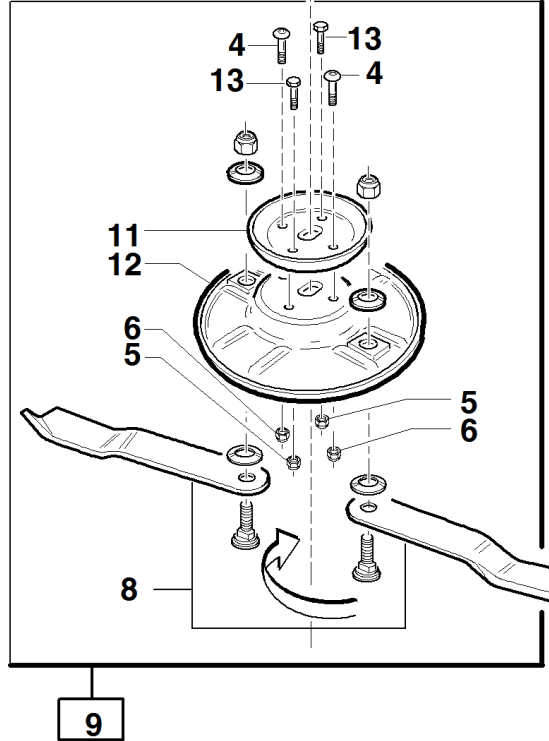
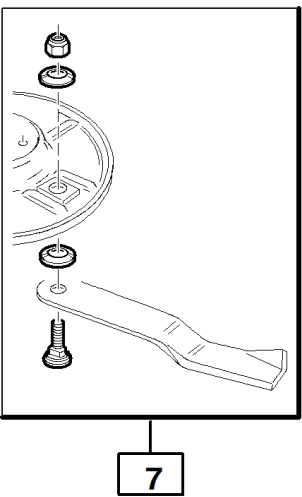
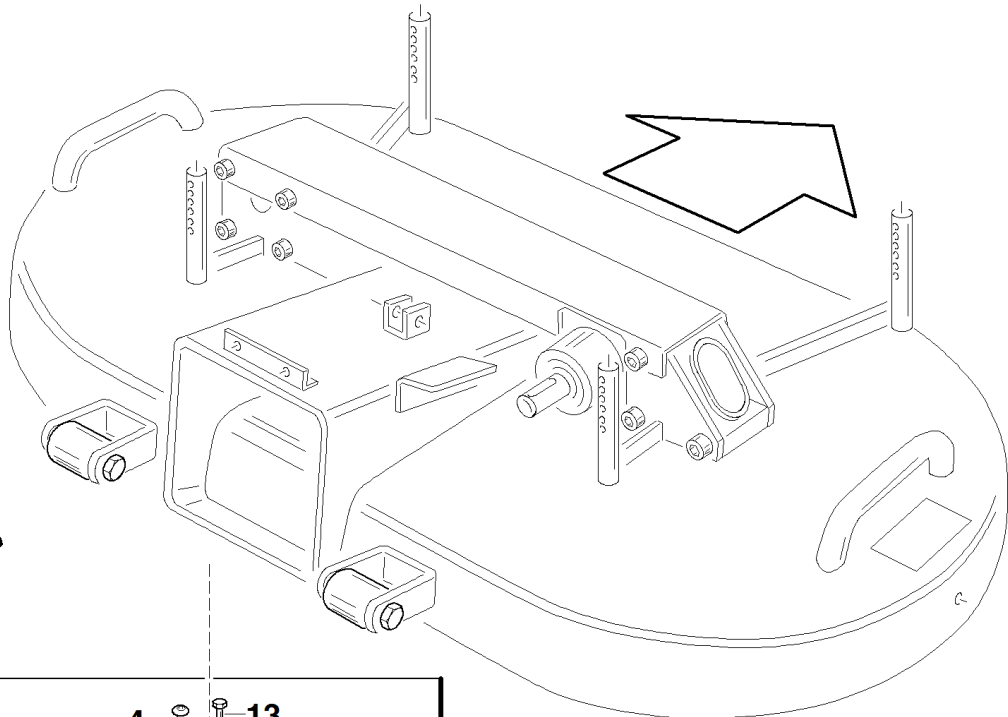
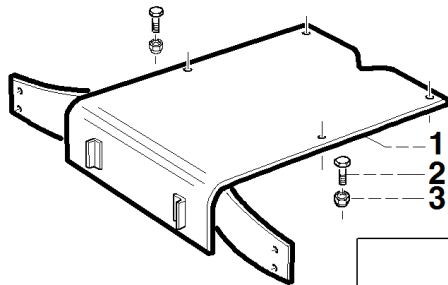
DESCRIPTION

PIATTO 112

REF. 20-00555501420

1	00777304400	GEAR BOX 2 OUTPUT
2	00777302001	SMOOTH SHAFT
3	00777304200	GEAR BOX 3 OUTPUT
4	00777250006	SEAL WASHER AS 25X52X7
5	00777150002	"COVER 3/8"" GAS"
6	00777302002	SPACER
7	00111650009	SNAP RING D.52 I
8	00777302009	GEAR CASE
9	00111990007	SHIM 20X28X0,1
9	00111990053	REGULATOR SHIM 20X28X0,5
9	00111990054	REGULATOR SHIM 20X28X1
9	00111990055	REGULATOR SHIM 20X28X0,3
9	95598270000	SPACER KIT 20X28
10	00777302003	ELIC. BEVEL GEAR PAIR
11	00111000057	SNAP RING D.20 E
12	00777100019	KOYO BEARING 6304 SKF
13	00777270001	CLOSED CAP 62X7
14	00777302004	THROUGH SHAFT
15	00111990006	REGULATION SHIM 42x52x0,1
15	00111990056	REGULATOR SHIM 42X52X0,5
15	00111990057	REGULATOR SHIM 42X52X0,3
15	00111990058	REGULATOR SHIM 42X52X1
15	95598280000	SPACER KIT 42X52
16	00777250007	SEAL WASHER AS 20X52X10
17	00111990005	COVER FILLING LEVEL 3/8
18	00777302010	SPLINED BUSHING 20X17 112 DECK
19	00777302005	KEYED SHAFT 20x17
20	00777250005	SEAL WASHER BASL 30X52X7
21	00111900003	TONGUE B 6X6X15
22	00777302006	RIGHT THREADED CUTTER BLOCK SHAFT
23	00777270002	CLOSED CAP 52X7
24	00777302007	GEAR CASE 2 OUTPUT
25	00777230002	OR RING 119
26	00111650010	SNAP RING D.17 I
27	00777150003	COVER 3/8 GAS WITHICAL
28	00777302000	GEAR BOX SET

KIT MULCHING 112



#

P/N

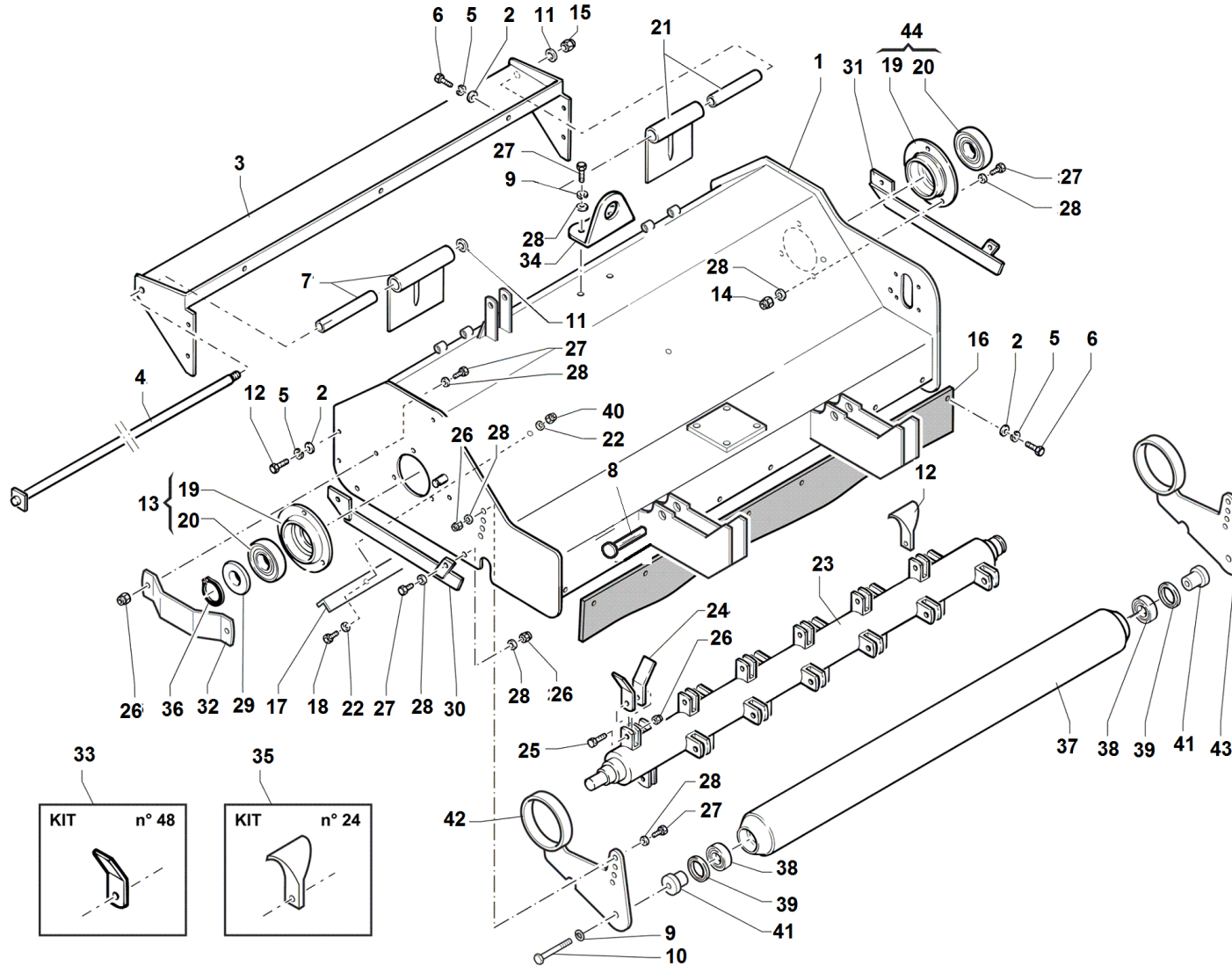
DESCRIPTION

KIT MULCHING 112

REF. 21-00555501421

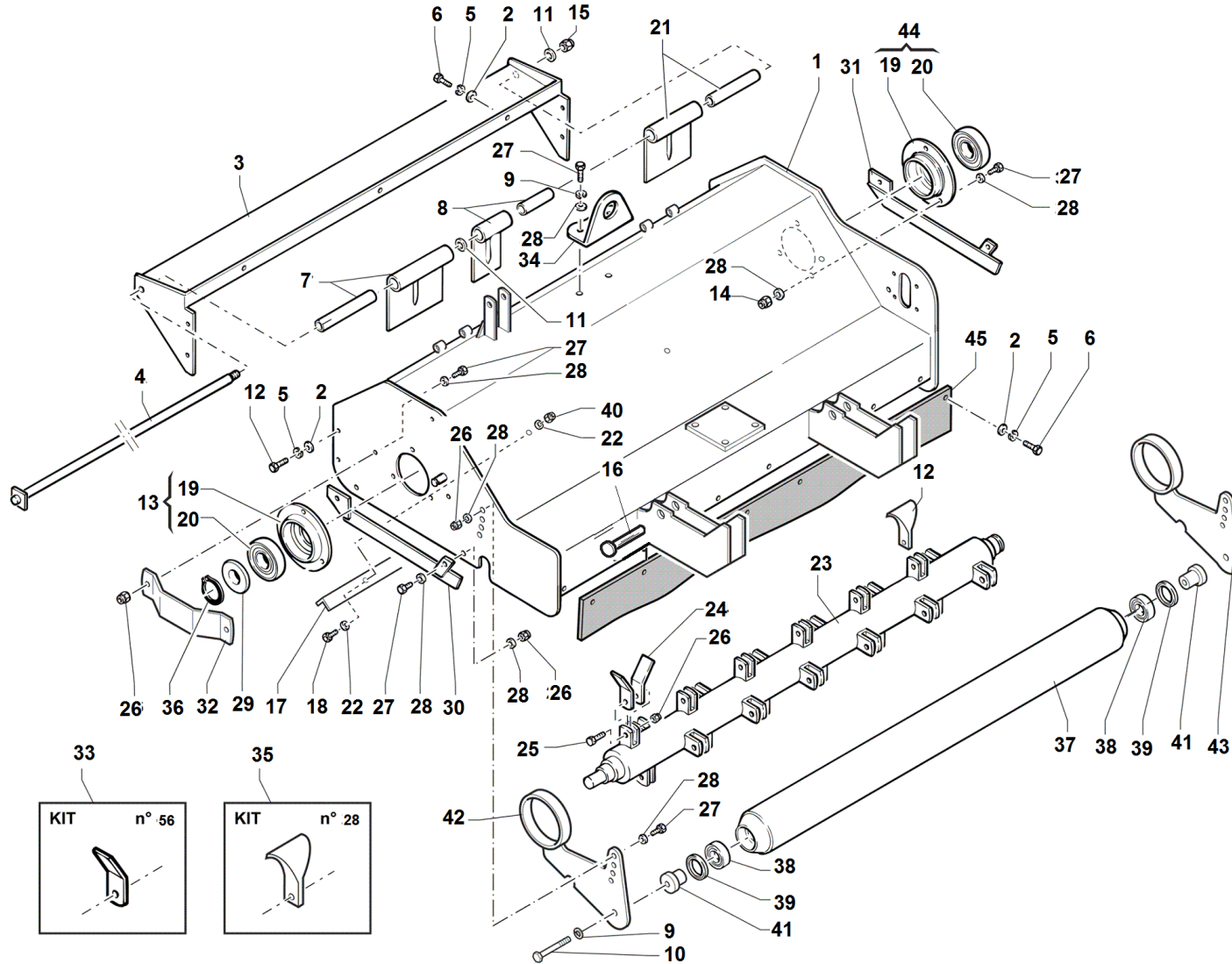
1	95123100000	1100 MULCHING CLOSING
2	00111300002	SCREW TE M6X12
3	00111000035	SELF BLOC. NUT M6
4	00111350020	SCREW TBEI M10X20
5	00111000071	SELF BLO. NUT M8
6	00111000080	SELF BLO. SCREW M10
7	95599310000	COMPLETE BLADE SCREW
7	95599320000	COMPLETE BLADE SCREW
8	95059120000	COUPLE LEFT MULCHING BLADE L=197,5
9	95059200000	LEFT MULCHING DISC PG 112
10	95059300000	RIGHT PG 112 MULCHING DISC
11	PC95006700001	BLADES TRANSMISSION CUP
12	95006500000	BLADES DISC
13	00111000093	SCREW TE M8X20
14	95059130000	COUPLE RIGHT MULCHING BLADE L= 197,5

TRINCIA 110 CM



#	P/N	DESCRIPTION	TRINCIA 110 CM	REF. 22-00555501422
1	95181101100			
2	00111500022	WASHER 8.5X14X1.5		
3	95181100005			
4	95181100006			
5	00111000179	GROWER WASHER M8		
6	00111000093	SCREW TE M8X20		
7	95181100007	STRAP L=145		
8	95147000001	SWEEPER BLOCKING PIN		
9	00111000165	GROWER WASHER M10		
10	00111000103	SCREW TE M10X30		
11	00111500004	WASHER 15,2X28X2.5		
12	95181100002	BLADE		
13	95181100024	LEFT ROTOR SUPPORT		
14	00111250004	SELF BL. NUT M10		
15	00111250011	SELF BL. NUT M14x1,5		
16	95181100040	REAROTECTION STRAP		
17	95181100010	MESSERWINKEL		
18	00111300008	SCREW TE M8X25		
19	95181100011			
20	00777100050	BEARING 6207 35x72x17		
21	95181100012	STRAP L=125 MM		
22	00111000041	WASHER 8X25X1.5		
23	95181100013	BLADE DISC ROTOR T.110CM		
24	95181100003	FLAIL MOWER BLADE		
25	00111300072	SCREW TE M10X1.25X35		
26	00111250023	SELF BL. NUT M10		
27	00111000076	SCREW TE M10X25		
28	00111500013	WASHER P10,5x18x2		
29	95181100014	SHIM D.35		
30	95181100015	LEFT SIDE COVER		
31	95181100016	RIGHT SIDE COVER		
32	95181100017	ROTOR SUPPORT PROTECTION		
33	00111000076	SCREW TE M10X25		
34	95181100018	LIFTING ATTACHMENT		
35	95181101400	BLADE KIT FOR FLAIL MOWER 110CM		
36	00111650025	SNAP RING D.35 E		
37	95181100019	110 CM T.ROLLER		
38	00777100049	BEARING 1205 25X52X15		
39	00777250023	OIL SEAL		
40	00111000071	SELF BLO. NUT M8		
41	95181100021	ROLLER PIN		
42	95181100020			
43	95181100022			
44	95181100023	RIGHT ROTOR SUPPORT		

TRINCIA 135 CM



#

P/N

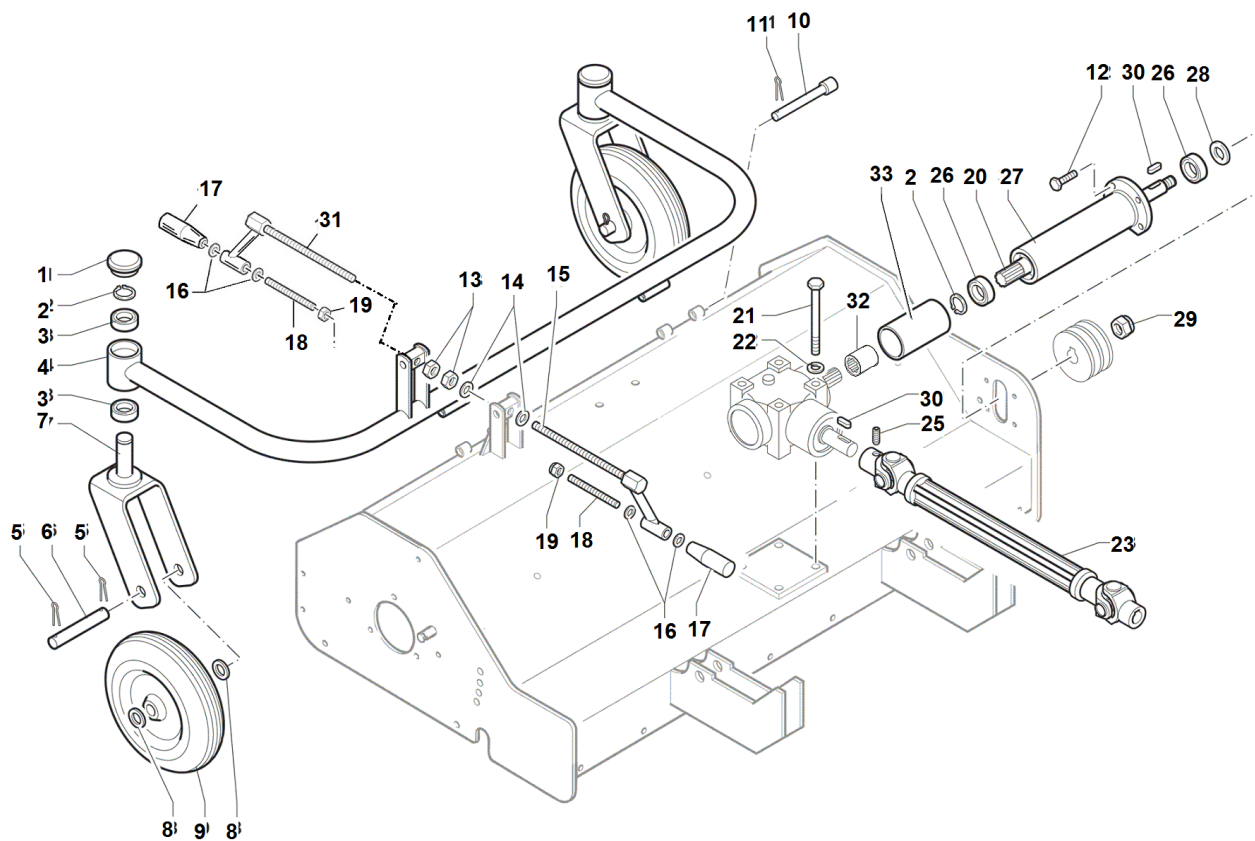
DESCRIPTION

TRINCIA 135 CM

REF. 23-00555501423

1	95181101200	PG-SR FLAIL TROLLEY FRAME
2	00111500022	WASHER 8.5X14X1.5
3	95182100004	
4	95182100005	
5	00111000179	GROWER WASHER M8
6	00111000093	SCREW TE M8X20
7	95181100007	STRAP L=145
8	95181100008	STRAP L=73 MM
9	00111000165	GROWER WASHER M10
10	00111000103	SCREW TE M10X30
11	00111500004	WASHER 15,2X28X2.5
12	95181100002	BLADE
13	95181100024	LEFT ROTOR SUPPORT
14	00111250004	SELF BL. NUT M10
15	00111250011	SELF BL. NUT M14x1,5
16	95147000001	SWEEPER BLOCKING PIN
17	95182100006	
18	00111300008	SCREW TE M8X25
19	95181100011	
20	00777100050	BEARING 6207 35x72x17
21	95181100012	STRAP L=125 MM
22	00111000041	WASHER 8X25X1.5
23	95182100007	BLADE DISC ROTOR T.135 CM
24	95181100003	FLAIL MOWER BLADE
25	00111300072	SCREW TE M10X1.25X35
26	00111250023	SELF BL. NUT M10
27	00111000076	SCREW TE M10X25
28	00111500013	WASHER P10,5x18x2
29	95181100014	SHIM D.35
30	95181100015	LEFT SIDE COVER
31	95181100016	RIGHT SIDE COVER
32	95181100017	ROTOR SUPPORT PROTECTION
33	95182101200	""Y"" BLADE KIT FOR FLAIL MOWER 135CM"
34	95181100018	LIFTING ATTACHMENT
35	95182101300	FLAIL BLADE KIT- 135CM FLAIL
36	00111650025	SNAP RING D.35 E
37	95182100008	
38	00777100049	BEARING 1205 25X52X15
39	00777250023	OIL SEAL
40	00111000071	SELF BLO. NUT M8
41	95181100021	ROLLER PIN
42	95181100020	
43	95181100022	
44	95181100023	RIGHT ROTOR SUPPORT
45	95182100009	

TRINCIA



S/N

→6313000891

REF. 24-00555501433

#

P/N

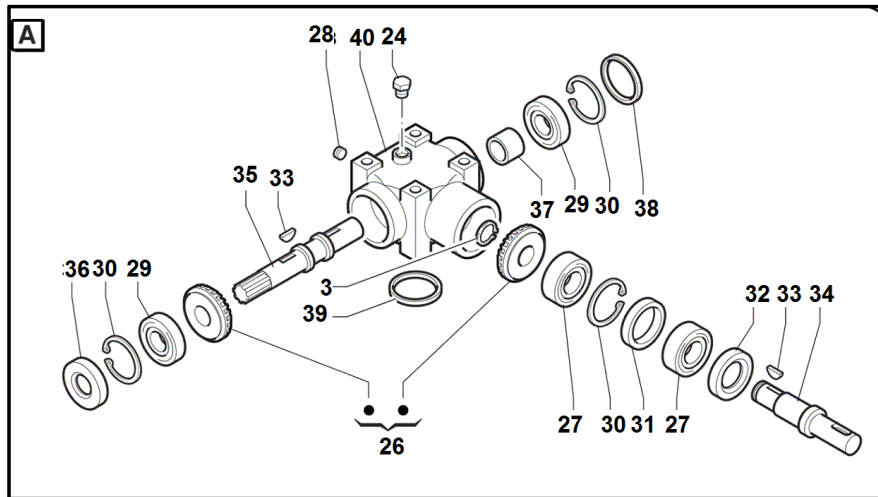
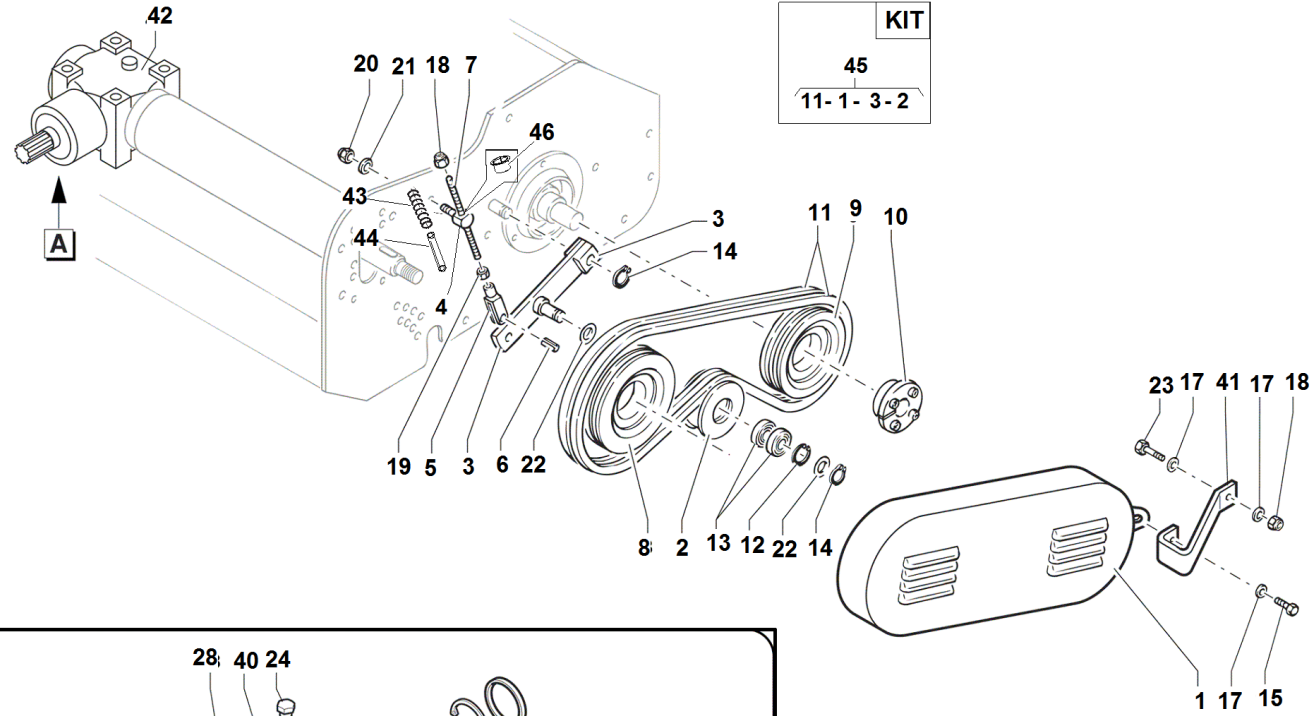
DESCRIPTION

TRINCIA

REF. 24-00555501433

1	99076000006	BLACK PLUG	
2	00111650004	SNAP RING D.15 E	
3	00777100006	BEARING 6004 2RS 20X42X12	
4	95181101200	PG-SR FLAIL TROLLEY FRAME	
5	00111750005	SPLIT 4X50	
6	95139200001	TROLLEY SHAFT WHEEL	
7	96035301500	TROLLEY WHEEL FORK	
8	90110000001	SPACER WHEEL	
9	95504200000	NO PROFILE WHEEL 3.00-4	
10	96024000004	TROLLEY FIXING DRILL ROD	
11	00111000039	ELASTIC PEG D.5X24	
12	00111000081	SCREW TE M8X16	
13	00111150018		
14	00111500025	WASHER 17X30X3	
15	95181100025	WHEEL REGISTER	
16	00111500013	WASHER P10,5x18x2	
17	95181100026	HANDGRIP	
18	95181100027	HANDLE PIN	
19	00111000080	SELF BLO. SCREW M10	
20	95001000005	PTO SHAFT	
21	00111000172	SCREW ALLEN M10X85	
22	00111000015	WASHER D.10,5X21X2	
23	00777202200	COMPLETE CARDAN SHAFT	
25	00111960002	GRUB M8X16	
26	00777100020	KOYO BEARING 6204 2RS	
27	95181100028	BEARING SUPPORT TUBE	
28	00111500008	WASHER 21X37X2	
29	00111250003	SELF BL. NUT M16	
30	00111000174	TONGUE A 6X6X30	
31	95181100041		
32	95182100002	SPLINDED BUSHING	
33	95182100001	PROTECTION HOSE Ø60x5 L=230	

TRINCIA



#

P/N

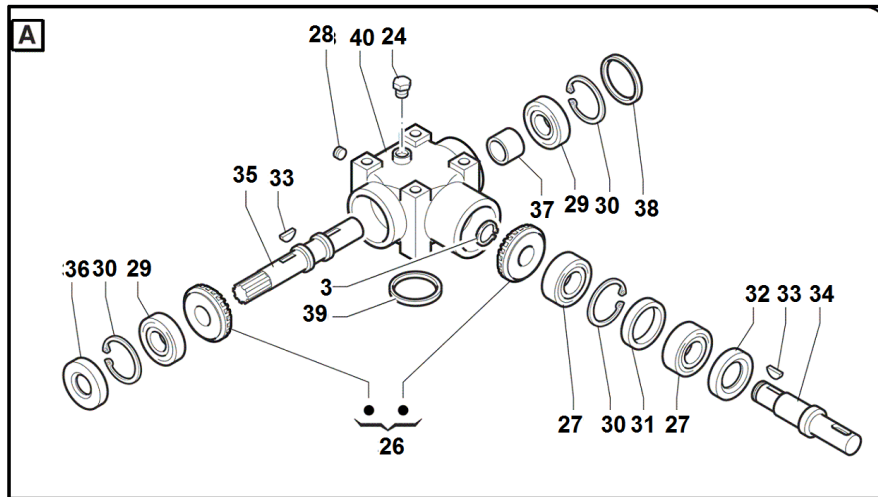
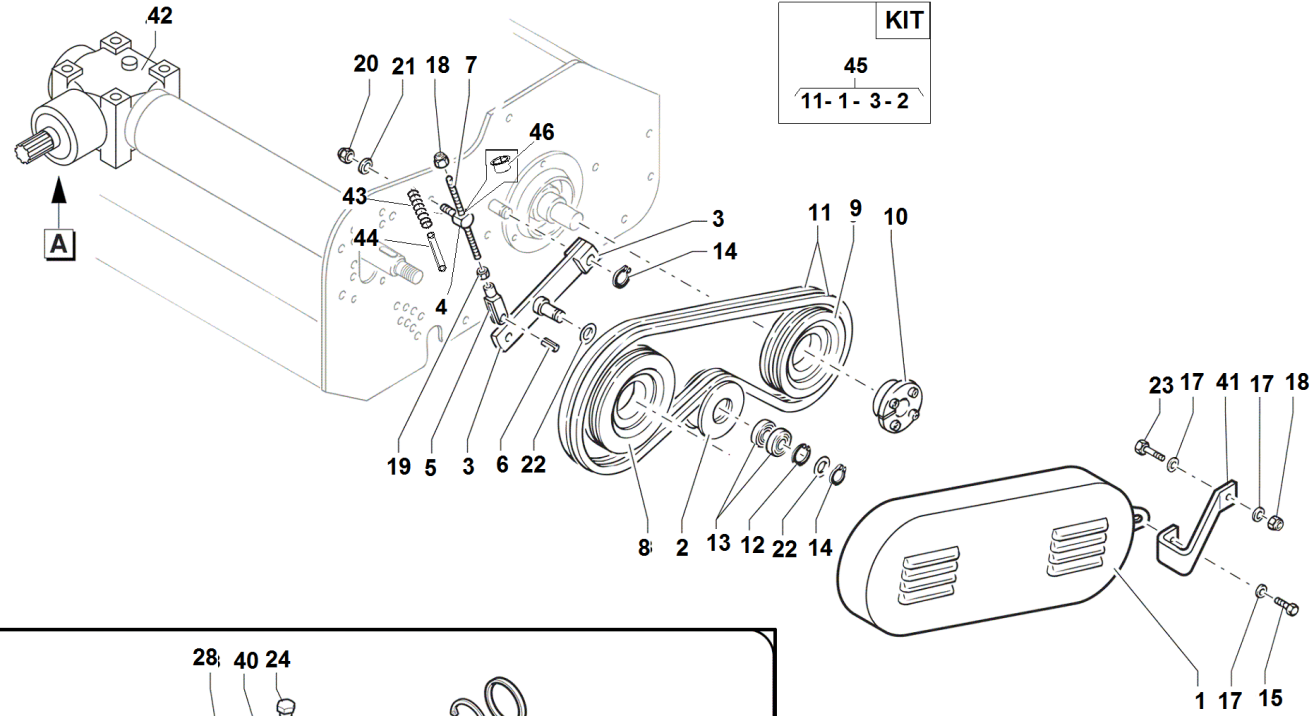
DESCRIPTION

TRINCIA

REF. 25-0055501425

1	95181100029	BELT TIMING CASE	
2	95181100031	BELT TIGHTENER PULLEY	
3	95181100032	BELT TIGHTENER	
4	95181100033	TIGHTENER SUPPORT	
5	00777180002	FORK IN M8	
6	00111700011	ELASTIC PIN D.8 X 18	
7	95200200002	TIGHTENER STAFF	
8	95181100036	PULLEY Dp 112 2G	
9	95181100037	PULLEY	
10	95181100038	KEYING MEMBER	
11	00111980037	GATES POWER II XPA 1030 BELT	
12	00111650005	SNAP RING D.35 I	
13	00777100005	KOYO BEARING 6202 2RS	
14	00111650004	SNAP RING D.15 E	
15	00111000093	SCREW TE M8X20	
17	00111500022	WASHER 8.5X14X1.5	
18	00111000071	SELF BLO. NUT M8	
19	00111150003	NUT M8	
20	00111250004	SELF BL. NUT M10	
21	00111500013	WASHER P10,5x18x2	
22	95181100039	SPACER D15	
23	00111300008	SCREW TE M8X25	
24	00111990005	COVER FILLING LEVEL 3/8	
26	00777306000	ELIC. BEVEL GEAR PAIR	
27	00777100017	KOYO BEARING 6205	
28	00777150003	COVER 3/8 GAS WITHICAL	
29	00777100019	KOYO BEARING 6304 SKF	
30	00111650009	SNAP RING D.52 I	
31	00777305103	SPACER 39.2X51.5 L=10.25	
32	00777250005	SEAL WASHER BASL 30X52X7	
33	00777305203	SPECIAL TONGUE	
34	00777305405	SMOOTH SHAFT	
35	00777305201	KEYED SHAFT	
36	00777250007	SEAL WASHER AS 20X52X10	
37	00777302008	SPLINED BUSHING 20X17	
38	00777270002	CLOSED CAP 52X7	
39	00777270001	CLOSED CAP 62X7	
40	00777305205	GEAR CASE	
41	95181100030	COVER	
42	00777306400	FLAIL- GEAR CASE	
43	95500000079	PTO COUPLING SPRING	
44	95181100046		
45	95598220000	KIT FOR FLAIL MOWER	
46	95599000106		

TRINCIA



#

P/N

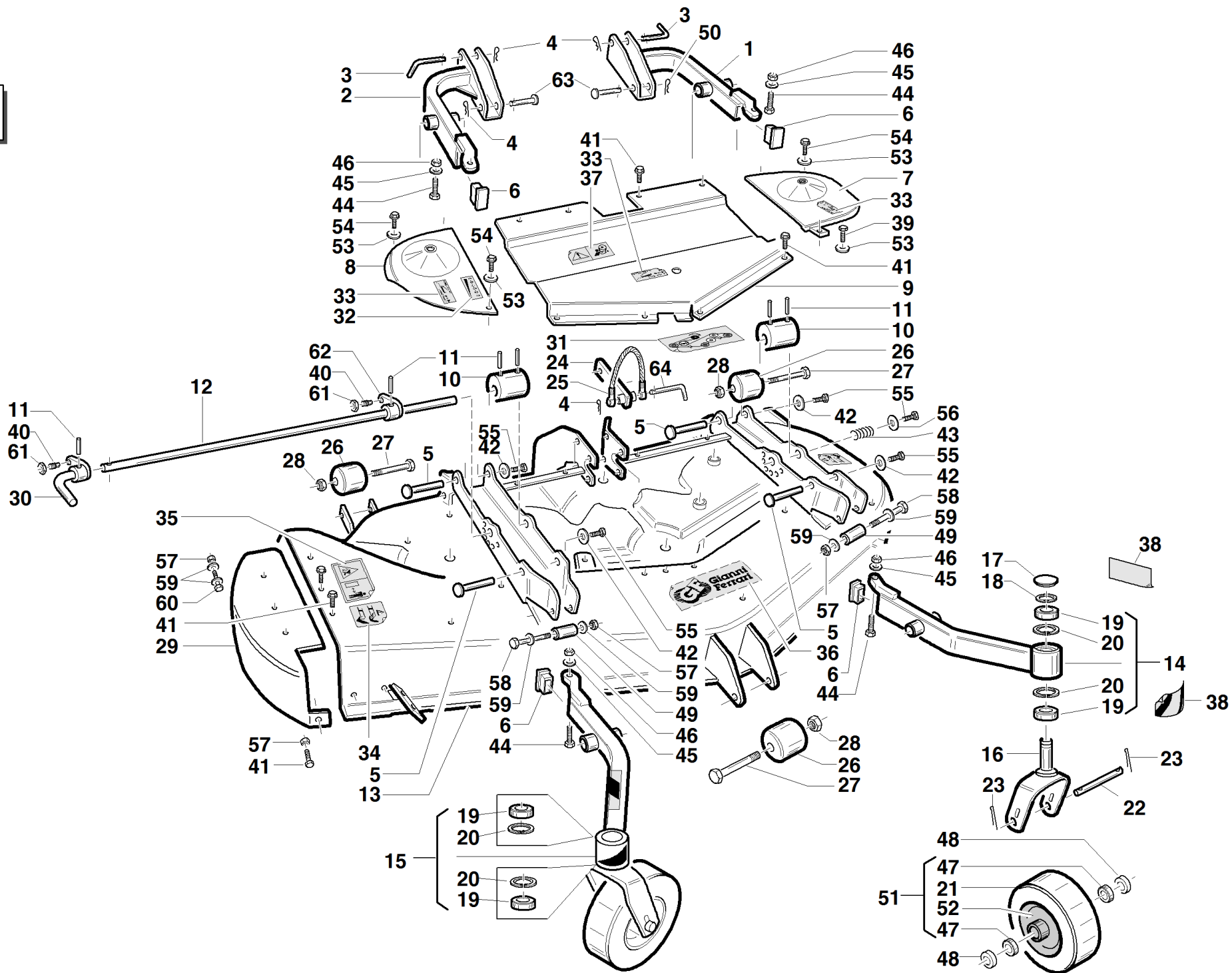
DESCRIPTION

TRINCIA

REF. 25-00555501425

1	95181100029	BELT TIMING CASE	
2	95181100031	BELT TIGHTENER PULLEY	
3	95181100032	BELT TIGHTENER	
4	95181100033	TIGHTENER SUPPORT	
5	00777180002	FORK IN M8	
6	00111700011	ELASTIC PIN D.8 X 18	
7	95200200002	TIGHTENER STAFF	
8	95181100036	PULLEY Dp 112 2G	
9	95181100037	PULLEY	
10	95181100038	KEYING MEMBER	
11	00111980037	GATES POWER II XPA 1030 BELT	
12	00111650005	SNAP RING D.35 I	
13	00777100005	KOYO BEARING 6202 2RS	
14	00111650004	SNAP RING D.15 E	
15	00111000093	SCREW TE M8X20	
17	00111500022	WASHER 8.5X14X1.5	
18	00111000071	SELF BLO. NUT M8	
19	00111150003	NUT M8	
20	00111250004	SELF BL. NUT M10	
21	00111500013	WASHER P10,5x18x2	
22	95181100039	SPACER D15	
23	00111300008	SCREW TE M8X25	
24	00111990005	COVER FILLING LEVEL 3/8	
26	00777306000	ELIC. BEVEL GEAR PAIR	
27	00777100017	KOYO BEARING 6205	
28	00777150003	COVER 3/8 GAS WITHICAL	
29	00777100019	KOYO BEARING 6304 SKF	
30	00111650009	SNAP RING D.52 I	
31	00777305103	SPACER 39.2X51.5 L=10.25	
32	00777250005	SEAL WASHER BASL 30X52X7	
33	00777305203	SPECIAL TONGUE	
34	00777305405	SMOOTH SHAFT	
35	00777305201	KEYED SHAFT	
36	00777250007	SEAL WASHER AS 20X52X10	
37	00777302008	SPLINED BUSHING 20X17	
38	00777270002	CLOSED CAP 52X7	
39	00777270001	CLOSED CAP 62X7	
40	00777305205	GEAR CASE	
41	95181100030	COVER	
42	00777306400	FLAIL- GEAR CASE	
43	95500000079	PTO COUPLING SPRING	
44	95181100046		
45	95598220000	KIT FOR FLAIL MOWER	
46	95599000106		

PIATTO 150 SM



#

P/N

DESCRIPTION

PIATTO 150 SM

REF. 26-0055501426

1	95222160000	LEFT REAR ARM
2	95222110000	RIGHT REAR ARM
3	95125000010	ROLLBAR PIN
4	00111750004	""""BETA DECO"" SPLIT PIN"
5	95220100001	TROLLEY BLOCKING PIN
6	00111970181	RECTANGULAR PUSH ROD 50X30
7	95599690000	150SM DECK LEFT CASE
8	95599700000	150SM DECK RIGHT CASE
9	95222000006	
10	95220110001	HEIGHT CUTTING REGULATION CAM
11	00111700012	ELASTIC PIN 8X36
12	95222000004	
13	95599710000	
14	95222190000	LEFT ASSEMBLED FRONT ARM
15	95222180000	RIGHT FRONT ARM
16	96035301500	TROLLEY WHEEL FORK
17	00777270007	CLOSED CAP 42X7
18	00111000057	SNAP RING D.20 E
19	00777100006	BEARING 6004 2RS 20X42X12
20	00111650002	SNAP RING D.42 I
21	00111940026	PNEUMATIC CARLISLE 9x3.50-4/2.25
22	95139200001	TROLLEY SHAFT WHEEL
23	00111750005	SPLIT 4X50
24	95222170000	
25	95220000001	ATTACHMENT SAFETY CABLE L=330mm
26	00111970082	WHEEL
27	00111300063	SCREW TE M12X115
28	00111250002	SELF BL. NUT M12
29	95222150001	SIDE CLOSING
30	95220110003	CAM SELECTOR WITH HANDLE
31	00555200194	
32	00555200170	TRANSFER PRINT.CUTTING HEIGHT ADJ.
33	95599720000	GREASE POINT TRANSFER PRINTING
34	00555000029	TRANSFER PRINTING MOWER DECK
35	95599730000	TRANSFER PRINTING
36	00555200165	YELLOW GIANNI FERRARI TRANSF. PRINTING
37	95599740000	DANGER TRANSFER PRINTING
38	95139000002	REFRACTING W/R TAPE L=140
39	00111300011	SCREW TE M6X20
40	95220110004	CAMSHAFT SELCTOR SCREW
41	00111450003	SCREW WASHER M8X20
42	00111000061	WASHER 8.4X24X2
43	95220110005	SPRING D=20.7 L=51.5
44	00111300073	SCREW TE M14X50
45	00111500004	WASHER 15,2X28X2.5
46	00111150019	NUT M14 6S
47	00777100008	BEARING 6204 2RS 20x47x14
48	90110000001	SPACER WHEEL
49	95220100006	HOSE FOR FRONT ARM
50	00111000175	"PIN ""R"" D.4"
51	95222140000	FILLED WHEEL 9x3.50-4
52	95139205001	"RIM 2.15x4""""
53	00111000037	WASHER 6.6X18X2
54	00111000045	SCREW TE M6X16
54	00111300078	SCREW TE M6X20
55	00111000081	SCREW TE M8X16
56	00111000132	WASHER P. 8,4X32X2,5 ZNT
57	00111000071	SELF BLO. NUT M8
58	00111300027	SCREW TE M8X60 ZNT

#

P/N

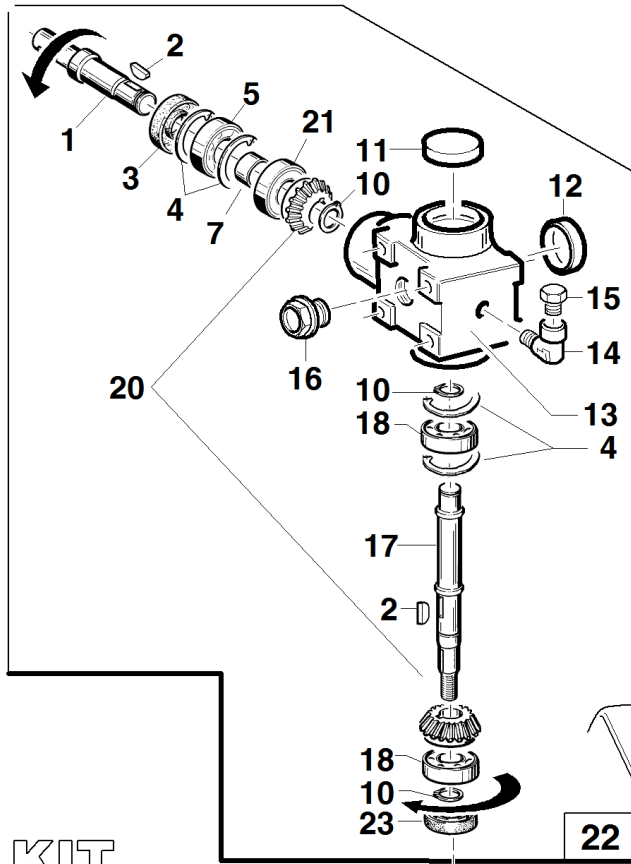
DESCRIPTION

PIATTO 150 SM

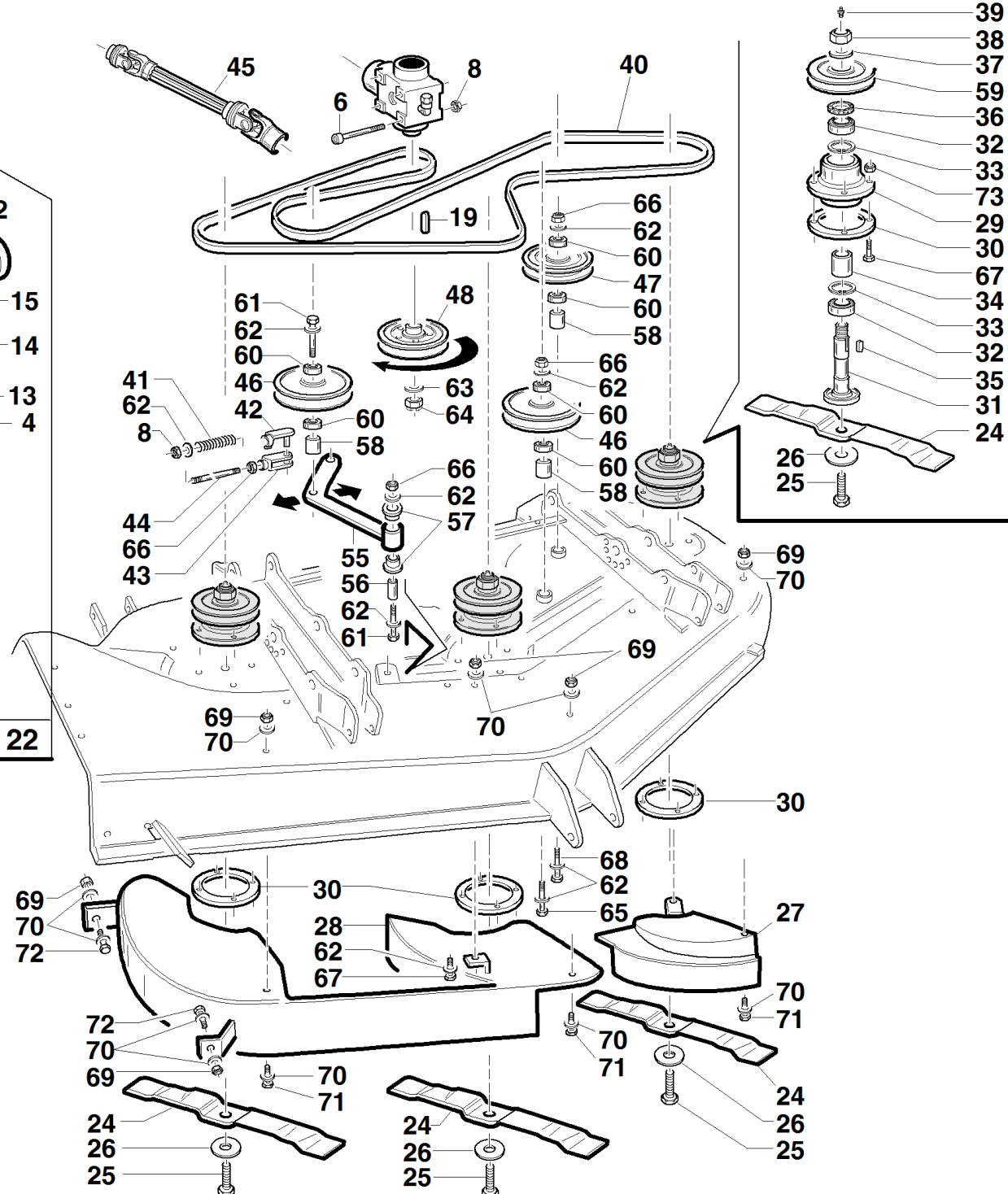
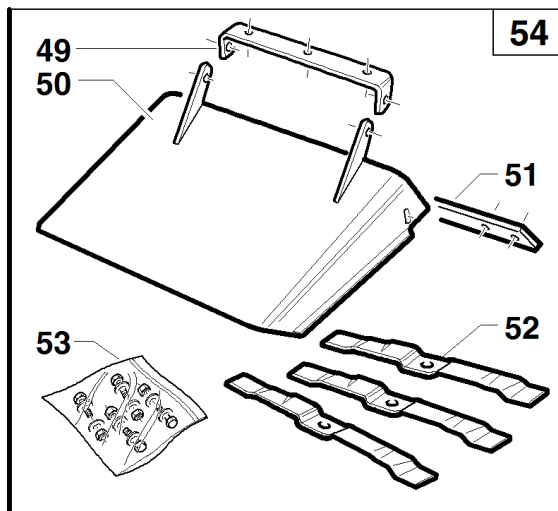
REF. 26-00555501426

59	00111500022	WASHER 8.5X14X1.5
60	00111300008	SCREW TE M8X25
61	00111150012	NUT M12
62	95220110002	CAMSHAFT SELECTOR
63	95147000001	SWEEPER BLOCKING PIN
64	95125000009	PIN

PIATTO 150 SM



KIT



#	P/N	DESCRIPTION	PIATTO 150 SM	REF. 27-0055501427
1	00777305405	SMOOTH SHAFT		
2	00777305203	SPECIAL TONGUE		
3	00777250027	SEAL WASHER AS 30x52x7 (VITON)		
4	00111650009	SNAP RING D.52 I		
5	00777100017	KOYO BEARING 6205		
6	00111400014	ALLEN SCREW M10X110		
7	95222101204			
8	00111000080	SELF BLO. SCREW M10		
10	00111650013	SNAP RING D.20X1,5 E		
11	00777270002	CLOSED CAP 52X7		
12	00777270001	CLOSED CAP 62X7		
13	95222101201			
14	00777600139			
15	00111970184			
16	00777150002	"COVER 3/8"" GAS"		
17	95222101203			
18	00777100019	KOYO BEARING 6304 SKF		
19	95222100001	TONGUE A 5X5X22		
20	00777306200	ELIC. BEVEL GEAR PAIR		
21	00777100052	BEARING 25X52X15		
22	95222101200	150SM DECK GEAR BOX		
23	00777250028	SEAL WASHER AS 20x52x10 (VITON)		
24	95599810000	MULCHING BLADE150		
25	00111300079	SCREW TE M16X1.5X60		
26	95599770000	150SM DECK FIXING BLADE WASHER		
27	95599940000	DECK 150 INSIDE LEFT BUMPER		
28	95599950000	INSIDE 150 DECK RIGHT BUMPER		
29	95599800000	150SM DECK HUB		
30	95599790000	150SM DECK INSIDE FLANGE		
31	95599750000	150SM DECK PIN		
32	00777100056	BEARING CLA 6206 RS1 30X62X16		
33	00111650029	SNAP RING D.62		
34	95599760000	DECK 150SM SPACER		
35	00111900021	TONGUE 6X9		
36	00777250030	SEAL WASHER 62X42X7 RP		
37	00111500029	WASHER 28X50X4		
38	00111150020	NUT M27X2		
39	00111000208	STRAIGHT GREASER M10		
40	00111980032	BELT DAYCO B144 17X3658LI		
41	95222000002	REGULATOR SPRING		
42	00111000207	CLIPS PM 10x20 1		
43	00111000206	G 10X20 1A FORK		
44	95222000001	LEVER STAFF BELT TIGHTENER		
45	00777202500	COMPLETE CARDAN SHAFT		
46	95599820000	SM150 DECK BELT TIGHT. PULLEY		
47	95599830000	150SM DECK PULLEY		
48	95222100002	PULLEY Øe= 150 mm		
49	95599860000	150SM DECK SAFETY SHIELD SUPPORT		
50	95599850000	150DECK SIDE DISCHARGE SAFETY SHIELD		
51	95599870000	150SM DECK PROTECTION BRACKET		
52	95599840000	150 MULCHING SIDE DISCHARGE BLADE		
53	95599880000	150SM DECK BOLT KIT		
54	95599890000	150SM SIDE DISCHARGE KIT		
55	95599900000	150SM DECK TIGHTENER ARM		
56	95599910000	150SM BELT TIGHTENER BUSHING		
57	95599920000	150SM DECK BUSHING		
58	95599930000	150SM DECK PULLEY SPACER		
59	95599780000	150SM DECK PULLEY		
60	00777100057	BEARING CLA 6200 2RS1 10X26X12		

#

P/N

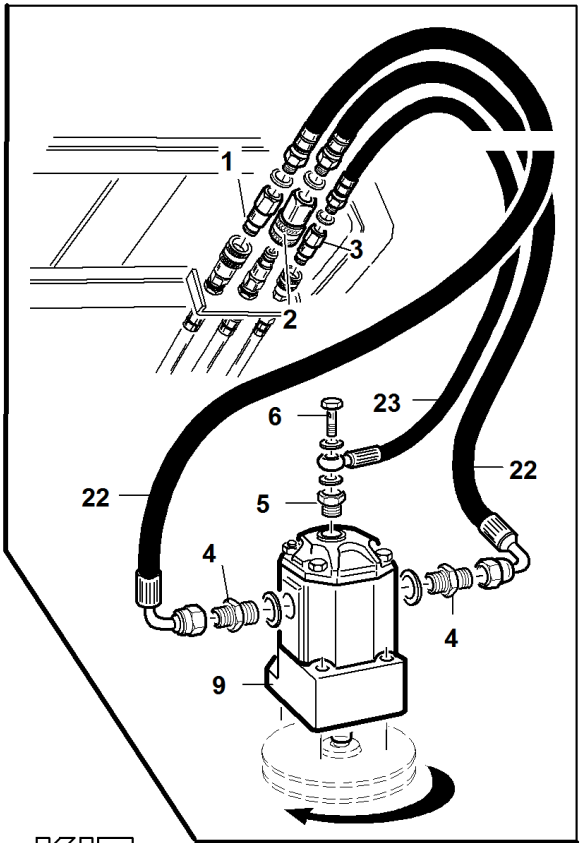
DESCRIPTION

PIATTO 150 SM

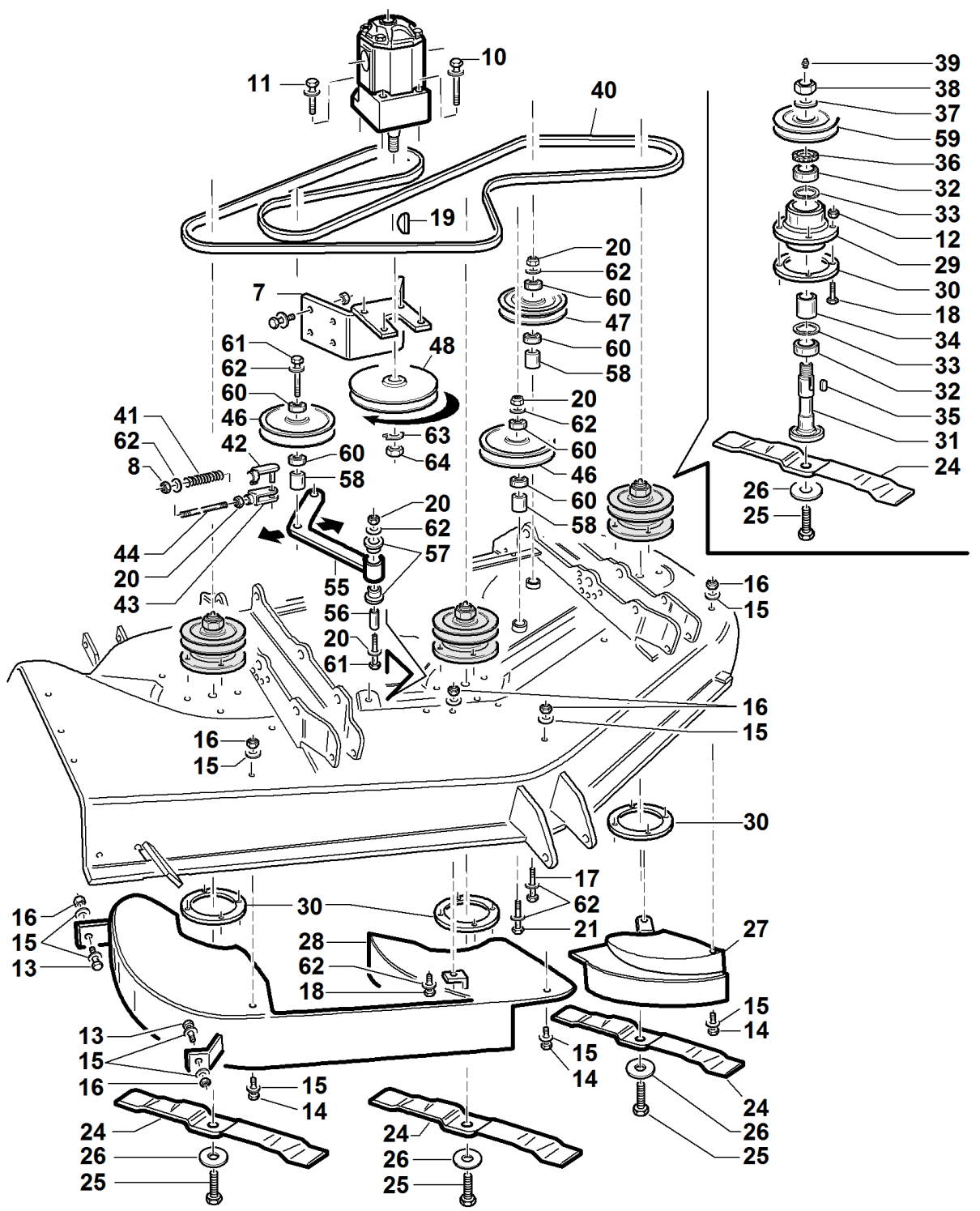
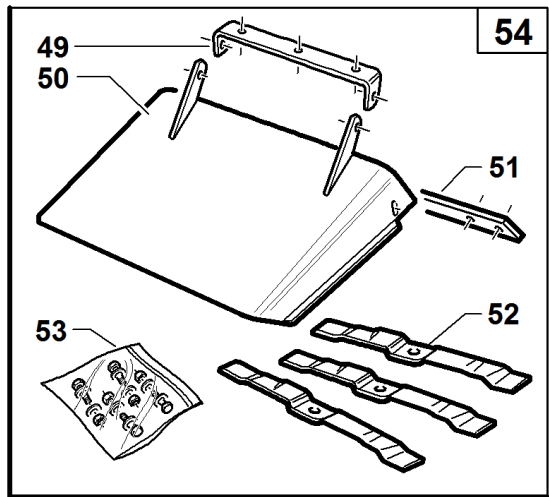
REF. 27-00555501427

61	00111300081	SCREW TE M10X1.25X65
62	00111500013	WASHER P10,5x18x2
63	00111000105	WASHER P.13X24X2,5
64	00111250002	SELF BL. NUT M12
65	00111300082	SCREW TE M10X1.25X90
66	00111250023	SELF BL. NUT M10
67	00111300080	SCREW TE M10X1.25X35
68	00111300083	SCREW M10X1.25X80
69	00111000071	SELF BLO. NUT M8
70	00111000041	WASHER 8X25X1.5
71	00111300008	SCREW TE M8X25
72	00111000033	SCREW TE M8X30
73	00111250026	NUT ME T B M10X1.25

PIATTO GT 150 SM



KIT



#

P/N

DESCRIPTION

PIATTO GT 150 SM

REF. 28-0055501434

1	00777600161	"MALE RAPID ATTACHMENT 1/2""
2	00777600160	"FEMALE RAPID ATTACHMENT 1/2""
3	00777600163	"MALE RAPID ATTACHMENT 1/4""
4	00777600129	NIPPLE 3/4-3/4
5	00777600062	REDUCTION 3/8
6	00777600040	SIMPLE CABLE BOLT
7	91103000002	
8	00111000080	SELF BLO. SCREW M10
9	91103000001	
10	00111400051	
11	00111400022	ALLEN SCREW
12	00111250026	NUT ME T B M10X1.25
13	00111000033	SCREW TE M8X30
14	00111300008	SCREW TE M8X25
15	00111000041	WASHER 8X25X1.5
16	00111000071	SELF BLO. NUT M8
17	00111970082	WHEEL
18	00111300080	SCREW TE M10X1.25X35
19	91103000006	
20	00111250023	SELF BL. NUT M10
21	00111300082	SCREW TE M10X1.25X90
22	91100000010	HOSE 5/8 2SC F90°3/4-M1/2 L=1100
23	91100000011	HOSE 1/4 1SN M14-1.5-M1/4 L=1280
24	95599810000	MULCHING BLADE150
25	00111300079	SCREW TE M16X1.5X60
26	95599770000	150SM DECK FIXING BLADE WASHER
27	95599940000	DECK 150 INSIDE LEFT BUMPER
28	95599950000	INSIDE 150 DECK RIGHT BUMPER
29	95599800000	150SM DECK HUB
30	95599790000	150SM DECK INSIDE FLANGE
31	95599750000	150SM DECK PIN
32	00777100056	BEARING CLA 6206 RS1 30X62X16
33	00111650029	SNAP RING D.62
34	95599760000	DECK 150SM SPACER
35	00111900021	TONGUE 6X9
36	00777250030	SEAL WASHER 62X42X7 RP
37	00111500029	WASHER 28X50X4
38	00111150020	NUT M27X2
39	00111000208	STRAIGHT GREASER M10
40	00111980032	BELT DAYCO B144 17X3658LI
41	95222000002	REGULATOR SPRING
42	00111000207	CLIPS PM 10x20 1
43	00111000206	G 10X20 1A FORK
44	95222000001	LEVER STAFF BELT TIGHTENER
46	95599820000	SM150 DECK BELT TIGHT. PULLEY
47	95599830000	150SM DECK PULLEY
48	95222100002	PULLEY Øe= 150 mm
49	95599860000	150SM DECK SAFETY SHIELD SUPPORT
50	95599850000	150DECK SIDE DISCHARGE SAFETY SHIELD
51	95599870000	150SM DECK PROTECTION BRACKET
52	95599840000	150 MULCHING SIDE DISCHARGE BLADE
53	95599880000	150SM DECK BOLT KIT
54	95599890000	150SM SIDE DISCHARGE KIT
55	95599900000	150SM DECK TIGHTENER ARM
56	95599910000	150SM BELT TIGHTENER BUSHING
57	95599920000	150SM DECK BUSHING
58	95599930000	150SM DECK PULLEY SPACER
59	95599780000	150SM DECK PULLEY
60	00777100057	BEARING CLA 6200 2RS1 10X26X12

#

P/N

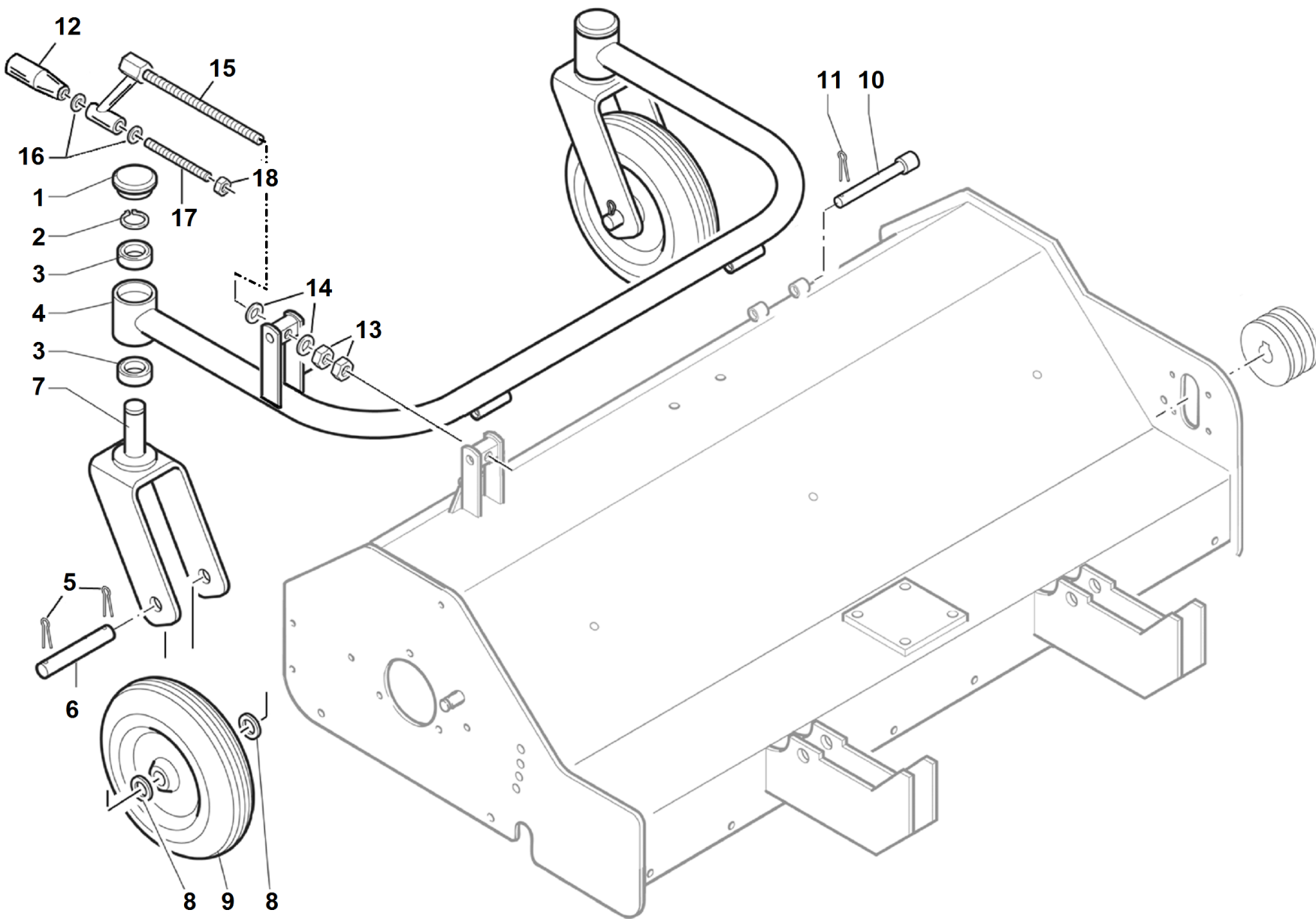
DESCRIPTION

PIATTO GT 150 SM

REF. 28-00555501434

61	00111300081	SCREW TE M10X1.25X65
62	00111500013	WASHER P10,5x18x2
63	00111000105	WASHER P.13X24X2,5
64	00111250002	SELF BL. NUT M12

TRINCIA GT



#

P/N

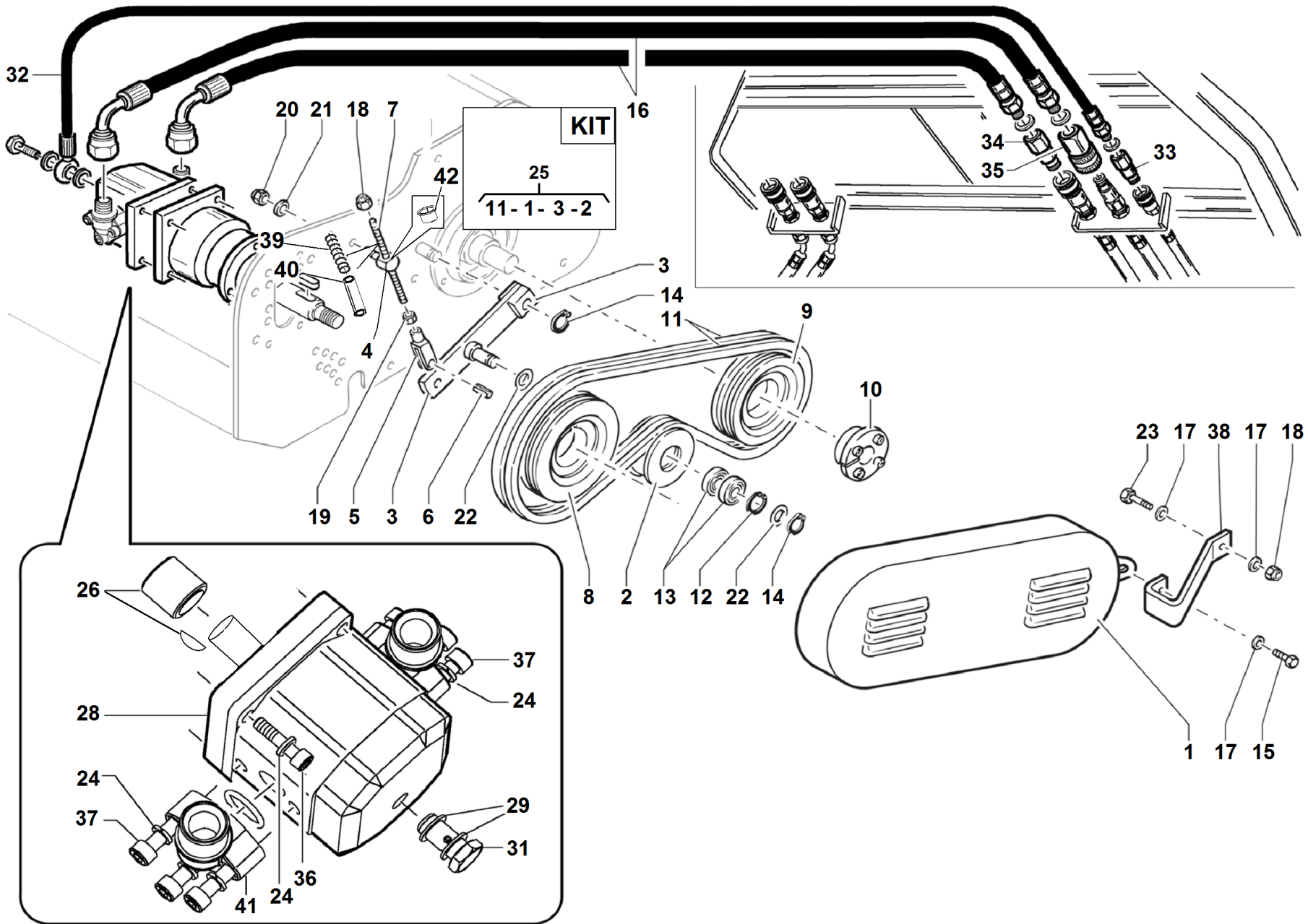
DESCRIPTION

TRINCIAS GT

REF. 29-00555501428

1	99076000006	BLACK PLUG
2	00111650004	SNAP RING D.15 E
3	00777100006	BEARING 6004 2RS 20X42X12
4	95181101200	PG-SR FLAIL TROLLEY FRAME
5	00111750005	SPLIT 4X50
6	95139200001	TROLLEY SHAFT WHEEL
7	96035301500	TROLLEY WHEEL FORK
8	90110000001	SPACER WHEEL
9	95504200000	NO PROFILE WHEEL 3.00-4
10	96024000004	TROLLEY FIXING DRILL ROD
11	00111000039	ELASTIC PEG D.5X24
12	95181100026	HANDGRIP
13	00111150018	
14	00111500025	WASHER 17X30X3
15	95181100025	WHEEL REGISTER
16	00111500013	WASHER P10,5x18x2
17	95181100027	HANDLE PIN
18	00111000080	SELF BLO. SCREW M10

TRINCIA GT



#

P/N

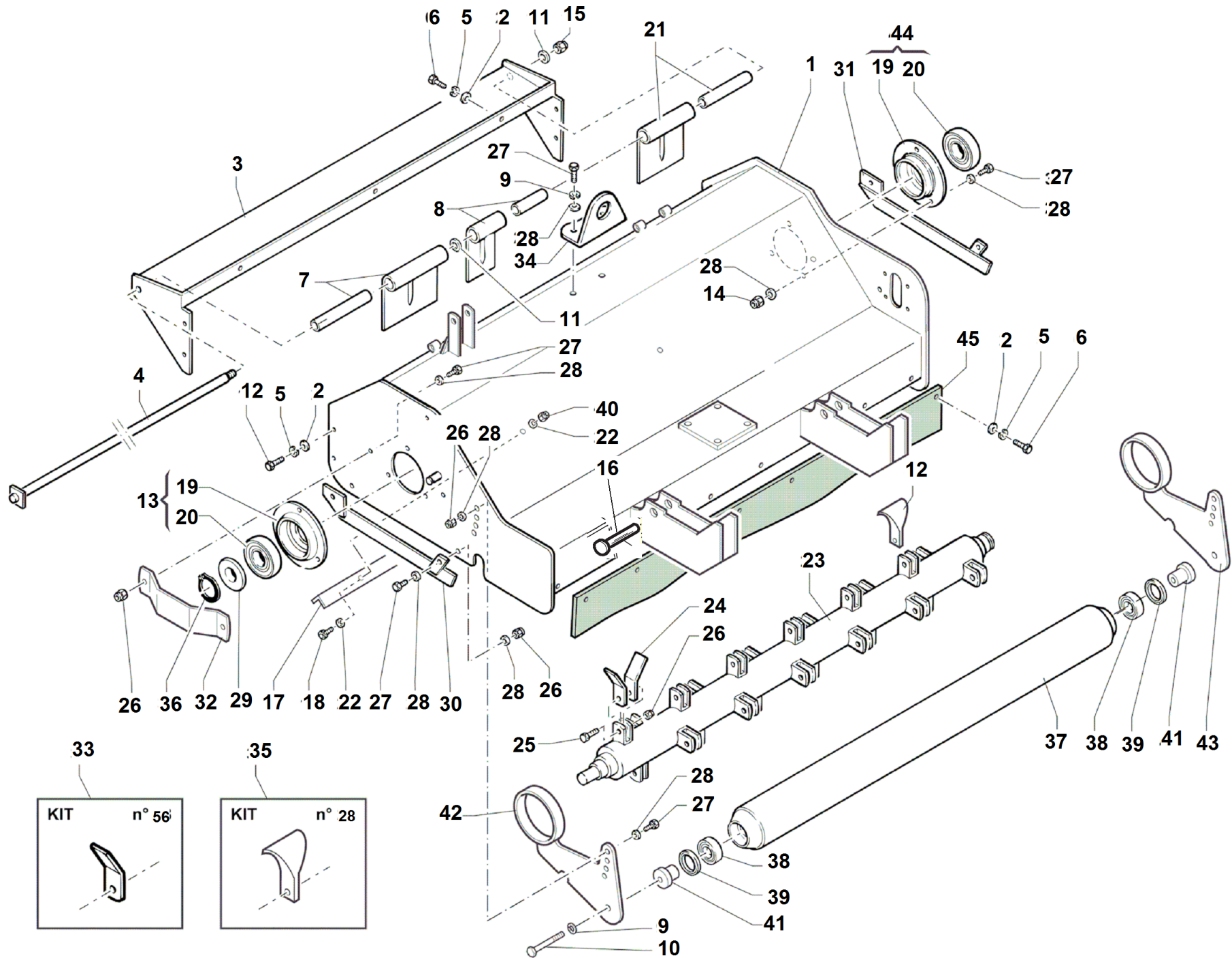
DESCRIPTION

TRINCIA GT

REF. 30-00555501429

1	95181100029	BELT TIMING CASE		
2	95181100031	BELT TIGHTENER PULLEY		
3	95181100032	BELT TIGHTENER		
4	95181100033	TIGHTENER SUPPORT		
5	00777180002	FORK IN M8		
6	00111700011	ELASTIC PIN D.8 X 18		
7	95200200002	TIGHTENER STAFF		
8	95181100036	PULLEY Dp 112 2G		
9	95181100037	PULLEY		
10	95181100038	KEYING MEMBER		
11	00111980037	GATES POWER II XPA 1030 BELT		
12	00111650005	SNAP RING D.35 I		
13	00777100005	KOYO BEARING 6202 2RS		
14	00111650004	SNAP RING D.15 E		
15	00111000093	SCREW TE M8X20		
16	91100000010	HOSE 5/8 2SC F90°3/4-M1/2 L=1100		
17	00111500022	WASHER 8.5X14X1.5		
18	00111000071	SELF BLO. NUT M8		
19	00111150003	NUT M8		
20	00111250004	SELF BL. NUT M10		
21	00111500013	WASHER P10,5x18x2		
22	95181100039	SPACER D15		
23	00111300008	SCREW TE M8X25		
24	00111000179	GROWER WASHER M8		
25	95598220000	KIT FOR FLAIL MOWER		
26	95598380000			
28	91104100001			
29	00777600174	COPPER WASHER M14		
31	00777600173	BOLT M14X1.5		
32	91100000011	HOSE 1/4 1SN M14-1.5-M1/4 L=1280		
33	00777600163	"MALE RAPID ATTACHMENT 1/4""		
34	00777600161	"MALE RAPID ATTACHMENT 1/2""		
35	00777600160	"FEMALE RAPID ATTACHMENT 1/2""		
36	00111400022	ALLEN SCREW		
37	00111400045			
38	95181100030	COVER		
39	95500000079	PTO COUPLING SPRING		
40	95181100046			
41	00777600168	"FLANGE 90° BSP 3/4""		
42	95599000106			

TRINCIA GT



#

P/N

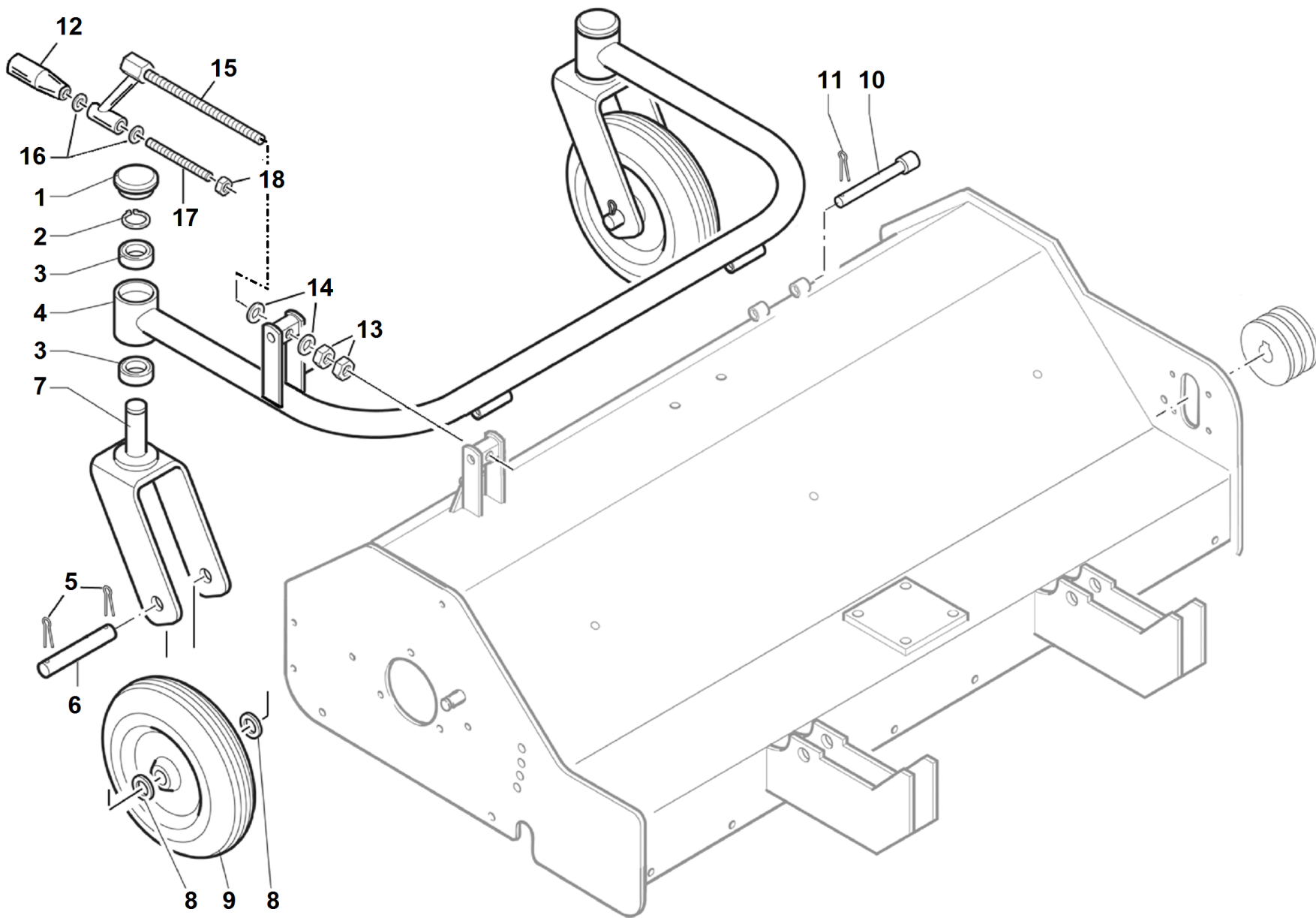
DESCRIPTION

TRINCIA GT

REF. 31-00555501430

1	95181101200	PG-SR FLAIL TROLLEY FRAME	
2	00111500022	WASHER 8.5X14X1.5	
3	95182100004		
4	95182100005		
5	00111000179	GROWER WASHER M8	
6	00111000093	SCREW TE M8X20	
7	95181100007	STRAP L=145	
8	95181100008	STRAP L=73 MM	
9	00111000165	GROWER WASHER M10	
10	00111000103	SCREW TE M10X30	
11	00111500004	WASHER 15,2X28X2.5	
12	95181100002	BLADE	
13	95181100024	LEFT ROTOR SUPPORT	
14	00111250004	SELF BL. NUT M10	
15	00111250011	SELF BL. NUT M14x1,5	
16	95147000001	SWEEPER BLOCKING PIN	
17	95182100006		
18	00111300008	SCREW TE M8X25	
19	95181100011		
20	00777100050	BEARING 6207 35x72x17	
21	95181100012	STRAP L=125 MM	
22	00111000041	WASHER 8X25X1.5	
23	95182100007	BLADE DISC ROTOR T.135 CM	
24	95181100003	FLAIL MOWER BLADE	
25	00111300072	SCREW TE M10X1.25X35	
26	00111250023	SELF BL. NUT M10	
27	00111000076	SCREW TE M10X25	
28	00111500013	WASHER P10,5x18x2	
29	95181100014	SHIM D.35	
30	95181100015	LEFT SIDE COVER	
31	95181100016	RIGHT SIDE COVER	
32	95181100017	ROTOR SUPPORT PROTECTION	
33	95182101200	""Y"" BLADE KIT FOR FLAIL MOWER 135CM"	
34	95181100018	LIFTING ATTACHMENT	
35	95182101300	FLAIL BLADE KIT- 135CM FLAIL	
36	00111650025	SNAP RING D.35 E	
37	95182100008		
38	00777100049	BEARING 1205 25X52X15	
39	00777250023	OIL SEAL	
40	00111000071	SELF BLO. NUT M8	
41	95181100021	ROLLER PIN	
42	95181100020		
43	95181100022		
44	95181100023	RIGHT ROTOR SUPPORT	
45	95182100009		

TRINCIA CM 103



#

P/N

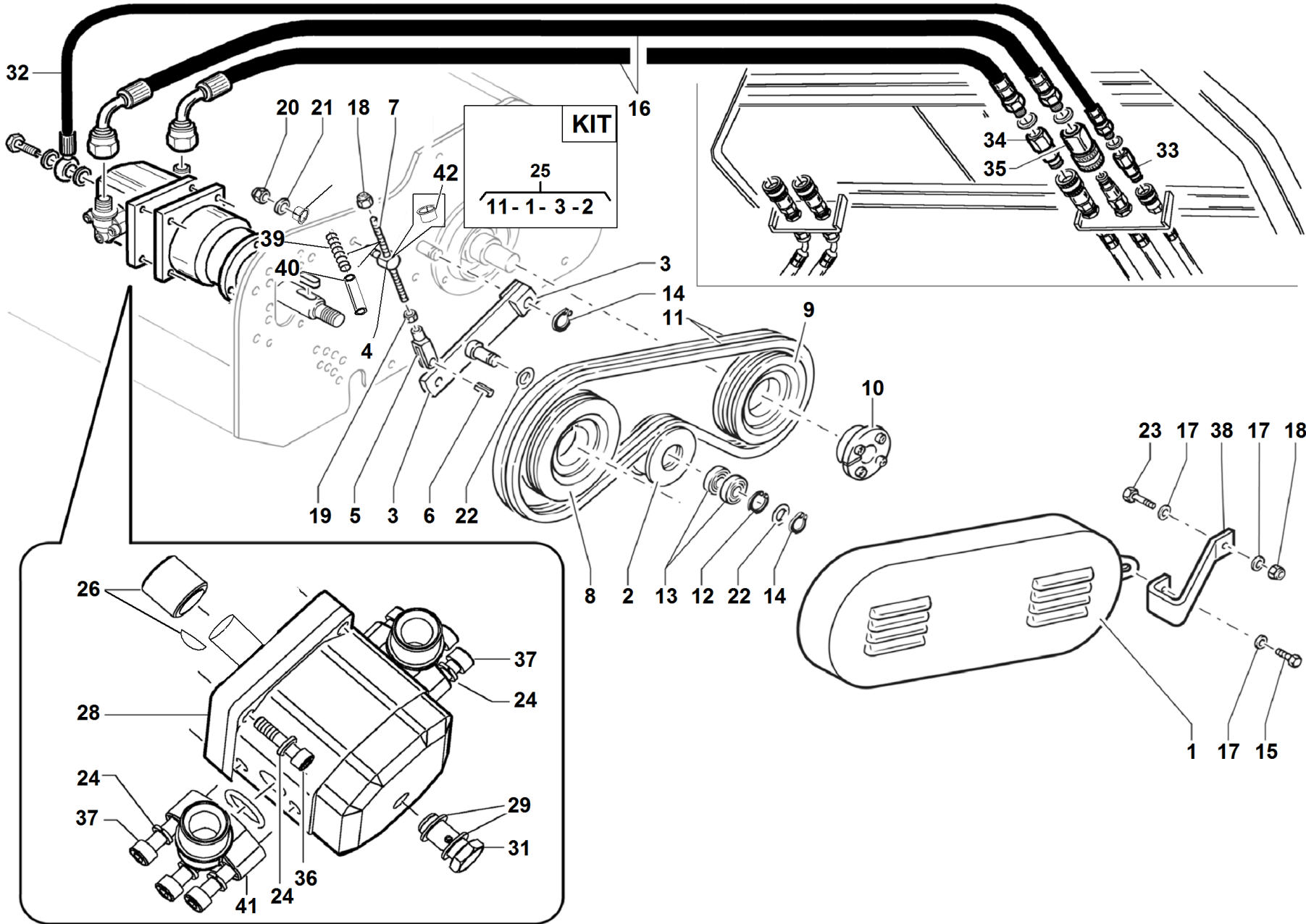
DESCRIPTION

TRINCIAS CM 103

REF. 32-00555501435

1	99076000006	BLACK PLUG
2	00111650004	SNAP RING D.15 E
3	00777100006	BEARING 6004 2RS 20X42X12
4	92106101000	
5	00111750005	SPLIT 4X50
6	95139200001	TROLLEY SHAFT WHEEL
7	96035301500	TROLLEY WHEEL FORK
8	90110000001	SPACER WHEEL
9	95504200000	NO PROFILE WHEEL 3.00-4
10	96024000004	TROLLEY FIXING DRILL ROD
11	00111000039	ELASTIC PEG D.5X24
12	95181100026	HANDGRIP
13	00111150018	
14	00111500025	WASHER 17X30X3
15	95181100025	WHEEL REGISTER
16	00111500013	WASHER P10,5x18x2
17	95181100027	HANDLE PIN
18	00111000080	SELF BLO. SCREW M10

TRINCIA CM 103



#

P/N

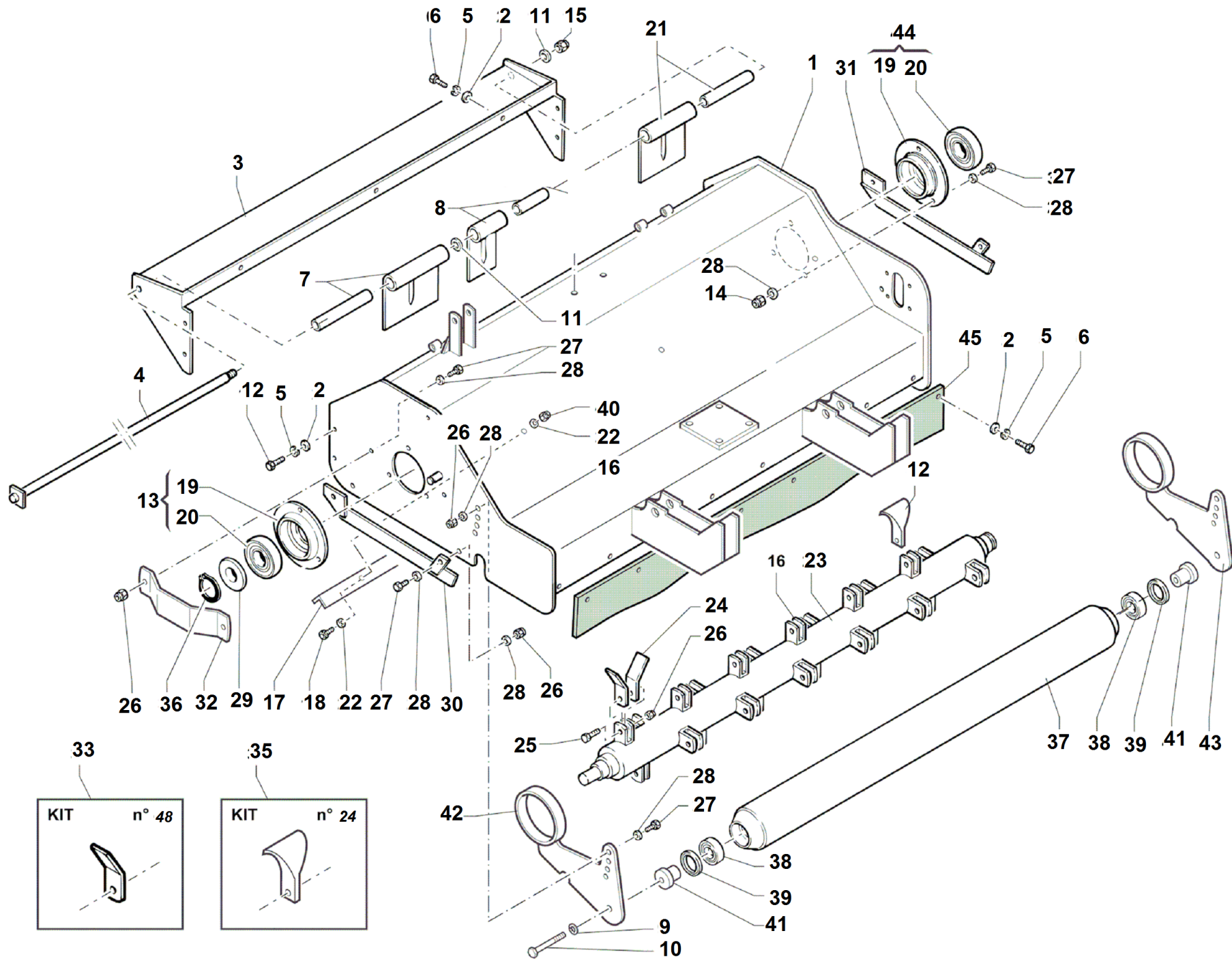
DESCRIPTION

TRINCIAS CM 103

REF. 33-00555501436

1	95181100029	BELT TIMING CASE
2	95181100031	BELT TIGHTENER PULLEY
3	95181100032	BELT TIGHTENER
4	95181100033	TIGHTENER SUPPORT
5	00777180002	FORK IN M8
6	00111700011	ELASTIC PIN D.8 X 18
7	95200200002	TIGHTENER STAFF
8	95181100036	PULLEY Dp 112 2G
9	95181100037	PULLEY
10	95181100038	KEYING MEMBER
11	00111980037	GATES POWER II XPA 1030 BELT
12	00111650005	SNAP RING D.35 I
13	00777100005	KOYO BEARING 6202 2RS
14	00111650004	SNAP RING D.15 E
15	00111000093	SCREW TE M8X20
16	92101000007	
17	00111500022	WASHER 8.5X14X1.5
18	00111000071	SELF BLO. NUT M8
19	00111150003	NUT M8
20	00111250004	SELF BL. NUT M10
21	00111500013	WASHER P10,5x18x2
22	95181100039	SPACER D15
23	00111300008	SCREW TE M8X25
24	00111000179	GROWER WASHER M8
25	95598220000	KIT FOR FLAIL MOWER
26	95598380000	
28	92106100001	
29	00777600174	COPPER WASHER M14
31	00777600173	BOLT M14X1.5
32	91100000011	HOSE 1/4 1SN M14-1.5-M1/4 L=1280
33	00777600163	"MALE RAPID ATTACHMENT 1/4""
34	00777600161	"MALE RAPID ATTACHMENT 1/2""
35	00777600160	"FEMALE RAPID ATTACHMENT 1/2""
36	00111400022	ALLEN SCREW
37	00111400045	
38	95181100030	COVER
39	95500000079	PTO COUPLING SPRING
40	95181100046	
41	00777600175	"FLANGE 90° BSP 3/4""
42	95599000106	

TRINCIA CM 103



#

P/N

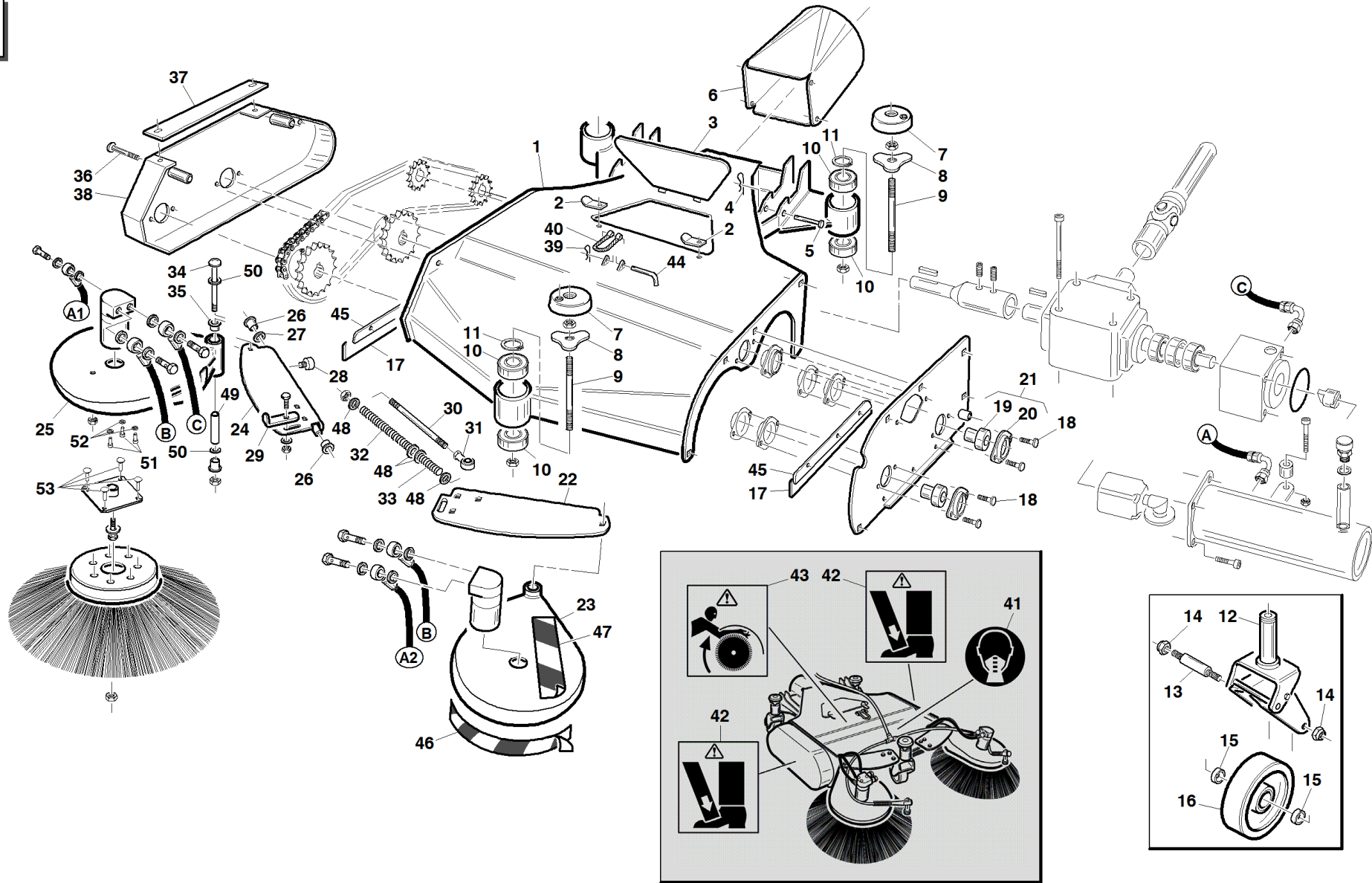
DESCRIPTION

TRINCIAS CM 103

REF. 34-00555501437

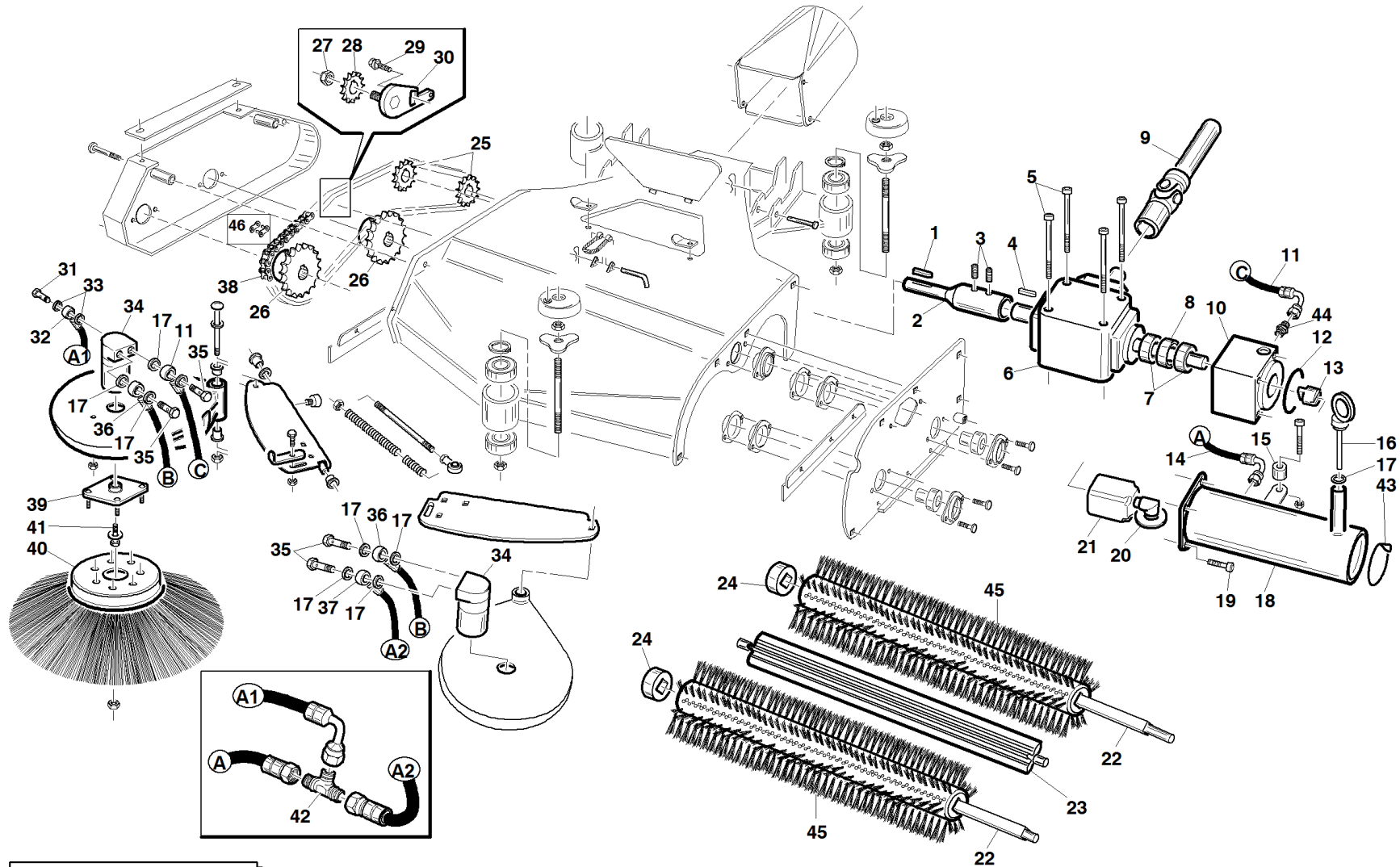
1	92106101000	
2	92106100003	
3	92106100004	
4	95182100005	
5	00111000179	GROWER WASHER M8
6	00111000093	SCREW TE M8X20
7	95181100007	STRAP L=145
8	95181100008	STRAP L=73 MM
9	00111000165	GROWER WASHER M10
10	00111000103	SCREW TE M10X30
11	00111500004	WASHER 15,2X28X2.5
12	95181100002	BLADE
13	95181100024	LEFT ROTOR SUPPORT
14	00111250004	SELF BL. NUT M10
15	00111250011	SELF BL. NUT M14x1,5
16	95147000001	SWEEPER BLOCKING PIN
17	92106100005	
18	00111300008	SCREW TE M8X25
19	95181100011	
20	00777100050	BEARING 6207 35x72x17
21	95181100012	STRAP L=125 MM
22	00111000041	WASHER 8X25X1.5
23	92106100006	FLAIL 103CM- BLADE DISC ROTOR
24	95181100003	FLAIL MOWER BLADE
25	00111300072	SCREW TE M10X1.25X35
26	00111250023	SELF BL. NUT M10
27	00111000076	SCREW TE M10X25
28	00111500013	WASHER P10,5x18x2
29	95181100014	SHIM D.35
30	95181100015	LEFT SIDE COVER
31	95181100016	RIGHT SIDE COVER
32	95181100017	ROTOR SUPPORT PROTECTION
33	92106101300	
34	95181100018	LIFTING ATTACHMENT
35	92106101400	
36	00111650025	SNAP RING D.35 E
37	92106100002	
38	00777100049	BEARING 1205 25X52X15
39	00777250023	OIL SEAL
40	00111000071	SELF BLO. NUT M8
41	95181100021	ROLLER PIN
42	95181100020	
43	95181100022	
44	95181100023	RIGHT ROTOR SUPPORT
45	95182100009	

HY. SWEEPER



1	95163101000	HYDRAULIC SWEEPER FRAME		
2	95073000020	FLAT COVER CAP		
3	95073000019	INSPECTION COVER		
4	00111000175	"PIN ""R"" D.4"		
5	95147000001	SWEEPER BLOCKING PIN		
6	95073000050	BRANCH PIPE		
7	95073000054	FEMALE KNOB D=10		
8	95073000055	IRON HAND GRIP		
9	95073000060	THREADED BAR M10 L=130		
10	00777100006	BEARING 6004 2RS 20X42X12		
11	00111000057	SNAP RING D.20 E		
12	95163101100	HYDR. SWEEPER WHEEL FORK		
13	95163100002	SWEEPER SHAFT WHEEL PG		
14	00111000080	SELF BLO. SCREW M10		
15	95163100001	SPACER 20X11 L=5.5		
16	00111970167	NYLON WHEEL		
17	95073000012	SIDE RUBBER STRAP		
18	00111340003	SCREW TTQST UNI 5731 M8X16		
19	00777100030	SMG BEARING		
20	95073000007	BEARING SUPPORT FLANGE		
21	95163100011	FLANGE + BEARING		
22	95163100017	LEFT FLOATING SUPPORT		
23	95163100013	LEFT BRUSH SUPPORT		
24	95163100022	RIGHT FLOATING SUPPORT		
25	95163100019	RIGHT BRUSH SUPPORT		
26	95163100021	FLOATING SUPPORT BUSHING		
27	95163100020	FLOATING SUPPORT WASHER		
28	95599000019	RUBBER SUPPORT		
29	95163100018	BRUSH FRONTAL LOCK		
30	95163100026	THREADED BAR M8		
31	00777200007	ARTICULATION HEAD CF8 M8		
32	95163100024	SPRING L=180 mm		
33	95163100023	SPRING L=70mm		
34	95163100028	BRUSH SUPPORT FIXING SCREW		
35	95163100025	BRUSH SUPPORT BUSHING		
36	00111340001	SCREW TTQST UNI 5731 M8X75		
37	95073000056	CLOSER RIGHT COVER		
38	95163101200	CHAIN COVER		
39	00111750004	""BETA DECO"" SPLIT PIN"		
40	95162000012	ATTACHMENT SAFETY WIRE L=170mm		
41	00555200075	TRANSFER PRINTING		
42	00555200076	TRANSFER PRINTING		
43	00555200074	TRANSFER PRINTING		
44	95125000009	PIN		
45	95073000013	RIGHT/LEFT PLATE		
46	95163000002	REFRACTING TAPE L=550 H=20		
47	95163000001	REFRACTING TAPE L=250		
48	95163100033			
49	95163100035			
50	95163100038			
51	95163100036			
52	95163100037			
53	95163100034			

HY. SWEEPER



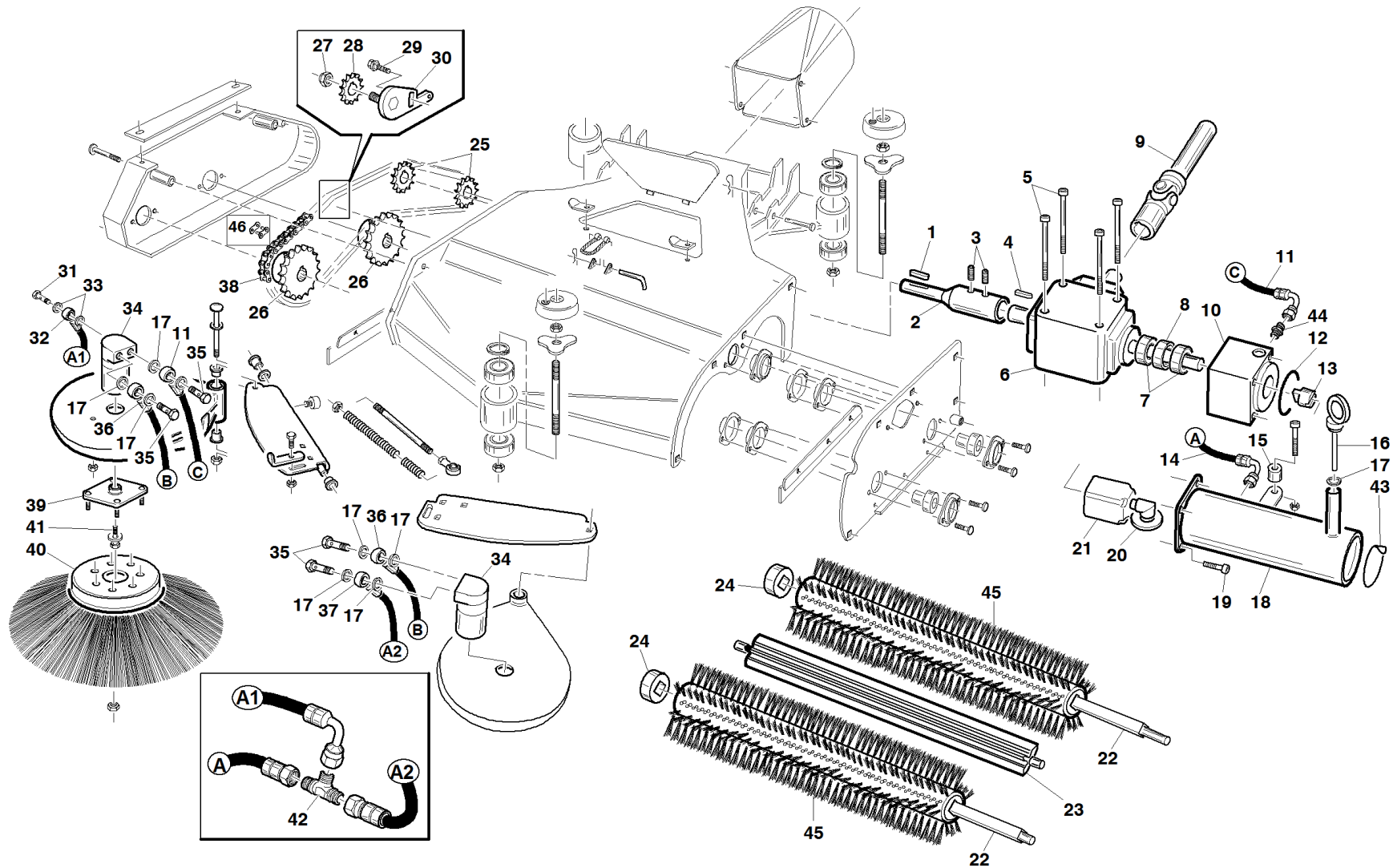
DA MATRICOLA - FROM MACHINE No.
DÈS LE N ° DE SÉRIE - AB SERIENNUMMER
**** 04318709 *****

S/N
→ **04318709**

REF. 35-1 00555991814

#	P/N	DESCRIPTION	HY. SWEEPER	REF. 35-1 00555991814
1	95163100010	TONGUE 6x6x28		
2	95073000053	GEAR BOX TRANSMISSION SHAFT		
3	00111960001	GRUB M8X10 NO POINT		
4	00111900017	TONGUE 8X7X32		
5	00111340001	SCREW TTQST UNI 5731 M8X75		
6	00777305000	SWEEPER GEAR BOX		
7	00777100035	BEARING 6005 2RS 25X47X12		
8	95163100009	PUMP HOUSING WASHER		
9	00777202300	COMPLETE SWEEPER CARDAN SHAFT		
10	95163100003	HYDRAULIC PUMP SEATING		
11	95163100008	OIL DELIVERY HOSE		
12	00777230017	OR RINGSP=3 D=76		
13	95163100007	COUPLING		
14	95163100006	OIL RELIEF HOSE		
15	95163100004	OIL TANK SUPPORT SPACER		
16	95163100023	SPRING L=70mm		
17	00777600003	WASHER COPPER 3/8		
18	95163100005	HYDRAULIC SWEEPER OIL TANK		
19	00111400002	ALLEN SCREW M6X25		
20	95599000015	HYDRAULIC PUMP OIL FILTER		
21	95599000013	SWEEPER HYDRAULIC PUMP		
22	95073000017	FRONT BRUSH SHAFT		
23	95073000016	MIDLING SHAFT		
24	95073000036	BRUSH DRAGGER		
25	95073000034	PINION Z=13		
26	95073000035	PINION Z=27		
27	00111250003	SELF BL. NUT M16		
28	95073370000	CHAIN SCREW COUPLING		
29	00111340004	SCREW TTQST UNI 5731 M8X25		
30	95073360000	CHAIN TIGHTENER SUPPORT		
31	00777600026	PIPE-FITTING DRILLED		
32	95163100029	OIL DRAINAGE HOSE		
33	00777600045	WASHER COPPER 1/8		
34	95599000017	HYDRAULIC ENGINE		
35	00777600042	EMPTY SCREW		
36	95163100030	HOSE		
37	95163100014	OIL RELIEF HOSE		
38	00777400012	SMG CHAIN		
39	95163100012	FRONTAL BRUSH ATTACHMENT		
40	00777660005	BPG FRONT BRUSH		
41	00111450009	SCREW/W M6X14 ZIG.ZNT		
42	95163100027	3 WAYS PIPE FITTING		
43	00555200147	TRANSFER PRINTING		
44	95163100031			
45	00777660003	SMG BRUSH		
46	00777400014	HYDRAULIC SWEEPER CHAIN LOCK		

HY. SWEEPER



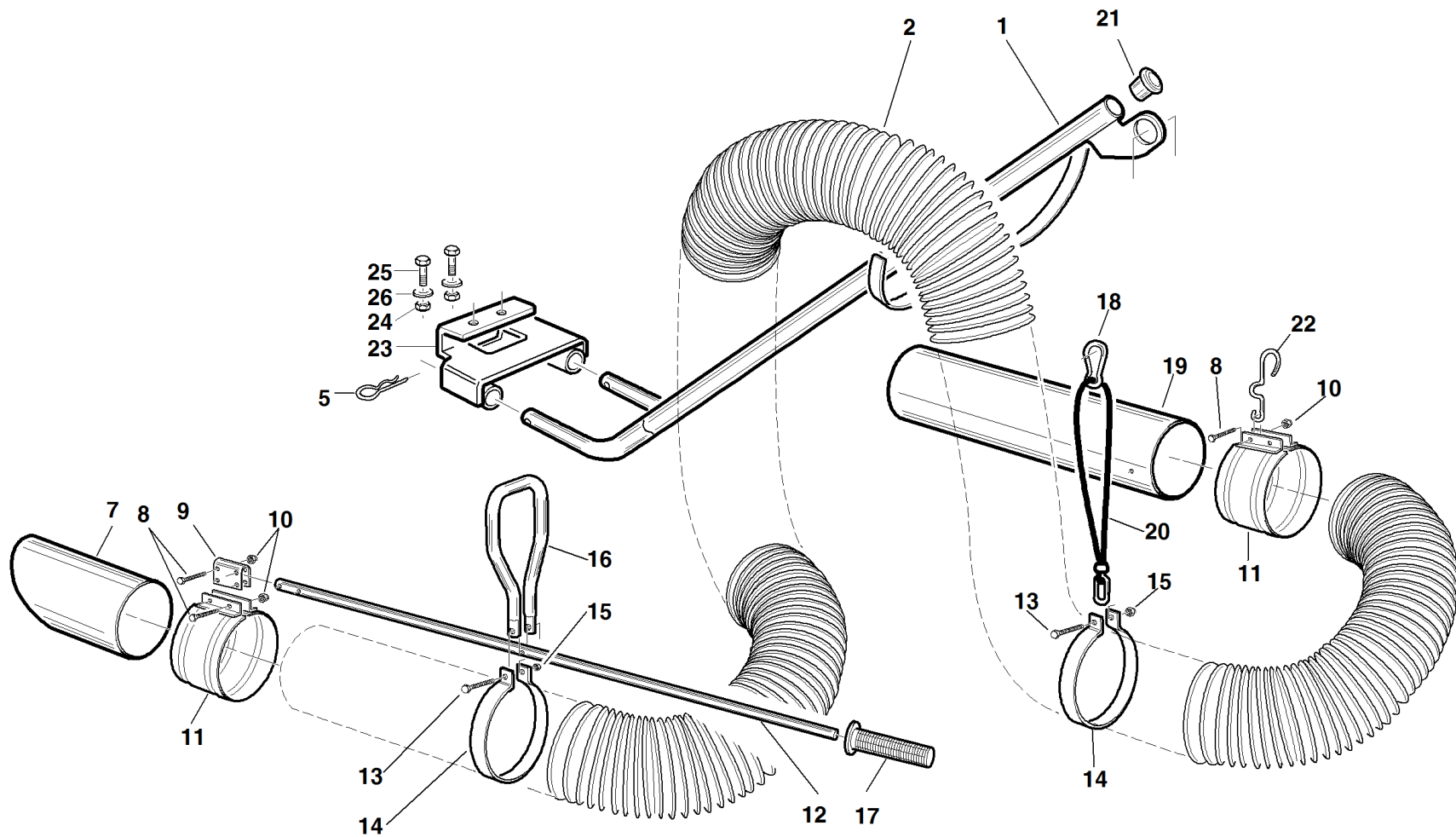
S/N

→03276107÷ 04318609←

REF. 35-1 00555991802

1	95163100010	TONGUE 6x6x28		
2	95073000053	GEAR BOX TRANSMISSION SHAFT		
3	00111960001	GRUB M8X10 NO POINT		
4	00111900017	TONGUE 8X7X32		
5	00111340001	SCREW TTQST UNI 5731 M8X75		
6	00777305000	SWEEPER GEAR BOX		
7	00777100035	BEARING 6005 2RS 25X47X12		
8	95163100009	PUMP HOUSING WASHER		
9	95599390000	SWEEPER CARDAN SHAFT		
10	95163100003	HYDRAULIC PUMP SEATING		
11	95163100008	OIL DELIVERY HOSE		
12	00777230017	OR RINGSP=3 D=76		
13	95163100007	COUPLING		
14	95163100006	OIL RELIEF HOSE		
15	95163100004	OIL TANK SUPPORT SPACER		
16	95163100023	SPRING L=70mm		
17	00777600003	WASHER COPPER 3/8		
18	95163100005	HYDRAULIC SWEEPER OIL TANK		
19	00111400002	ALLEN SCREW M6X25		
20	95599000015	HYDRAULIC PUMP OIL FILTER		
21	95599000013	SWEEPER HYDRAULIC PUMP		
22	95073000017	FRONT BRUSH SHAFT		
23	95073000016	MIDLING SHAFT		
24	95073000036	BRUSH DRAGGER		
25	95073000034	PINION Z=13		
26	95073000035	PINION Z=27		
27	00111250003	SELF BL. NUT M16		
28	95073370000	CHAIN SCREW COUPLING		
29	00111340004	SCREW TTQST UNI 5731 M8X25		
30	95073360000	CHAIN TIGHTENER SUPPORT		
31	00777600026	PIPE-FITTING DRILLED		
32	95163100029	OIL DRAINAGE HOSE		
33	00777600045	WASHER COPPER 1/8		
34	95599000017	HYDRAULIC ENGINE		
35	00777600042	EMPTY SCREW		
36	95163100030	HOSE		
37	95163100014	OIL RELIEF HOSE		
38	00777400012	SMG CHAIN		
39	95163100012	FRONTAL BRUSH ATTACHMENT		
40	00777660005	BPG FRONT BRUSH		
41	00111450009	SCREW/W M6X14 ZIG.ZNT		
42	95163100027	3 WAYS PIPE FITTING		
43	00555200147	TRANSFER PRINTING		
44	95163100031			
45	00777660003	SMG BRUSH		
46	00777400014	HYDRAULIC SWEEPER CHAIN LOCK		

ASPIRAFOGLIE



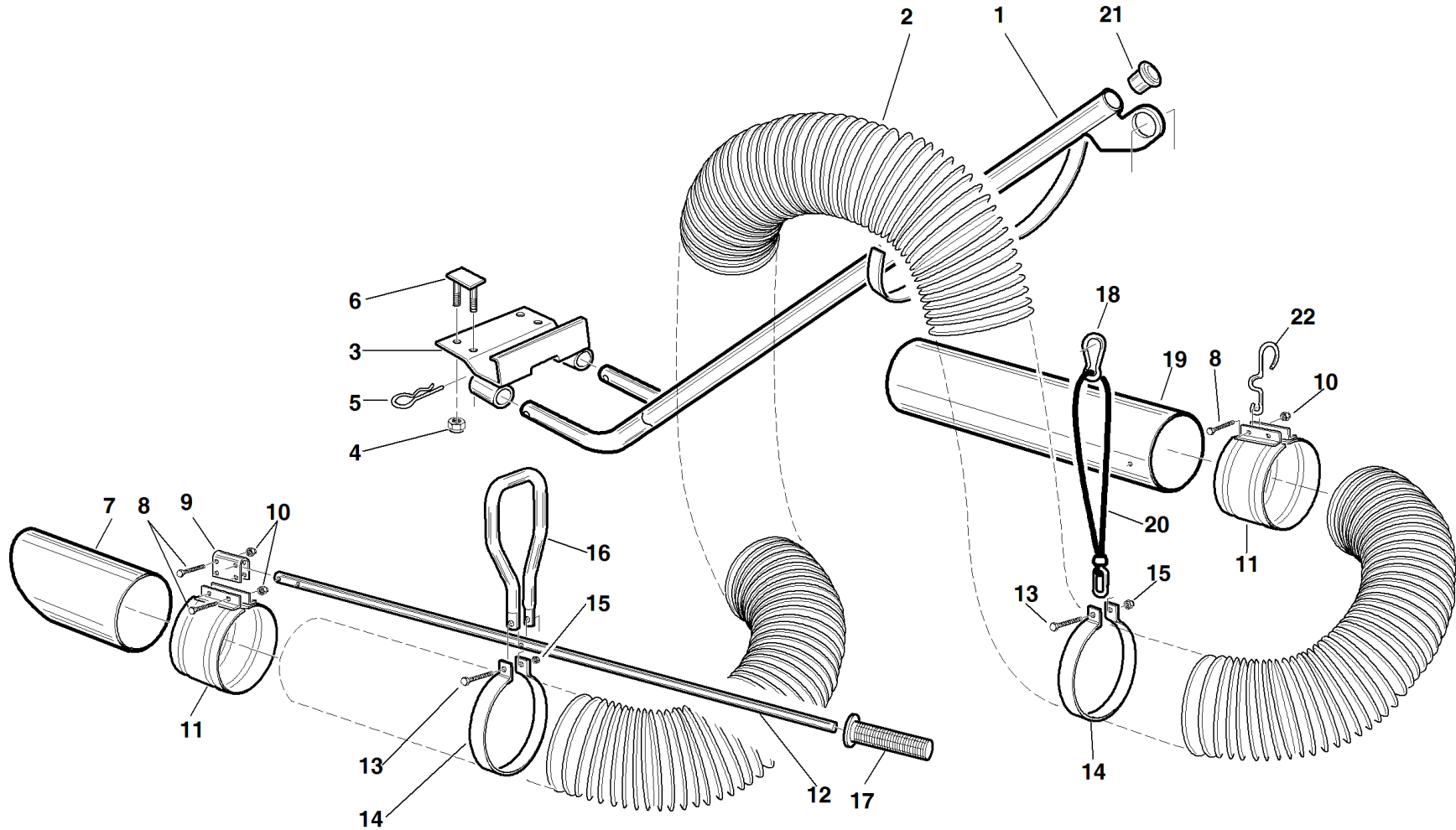
DA MATRICOLA - FROM MACHINE No.
DÈS LE N ° DE SÉRIE - AB SERIENNUMMER
*** 0601807 * KUBOTA**
*** 0603001 * DAIHA TSU**

S/N
→ **06401807**

REF. 36 - 00555991823

1	95116100000	VACUUM HOSE FRAME		
2	00111970156	TUBE L=5 MT D=165		
5	00111000175	"PIN ""R"" D.4"		
7	95116000006	STEEL TUBE		
8	00111300024	SCREW TE M4X35		
9	95116000005	U BOLT		
10	00111250006	SELF BL. NUT M4		
11	00111990068	STEEL FACE D.160		
12	95116000002	TUBE		
13	00111300014	SCREW TE M6X45		
14	95116000003	ALLUMINIUM BAND		
15	00111000166	SELF BL. SCREW M6		
16	95116000004	HANDLE		
17	00111970115	""VAL-PA"" HANDLE"		
18	00111990069	SPRING CATCH		
19	95116000001	STEEL TUBE		
20	00111990070	ELASTIC COMPLETE WITH HOOK		
21	00111970093	CLOSER PLUG		
22	95116000007	VACUUM HOSE HOOK		
23	95167120000	TANK FRAME SUPPORT		
24	00111000080	SELF BLO. SCREW M10		
25	00111350034	SCREW M10X65		
26	00111000015	WASHER D.10,5X21X2		

ASPIRAFOGLIE



S/N

→03276107÷ 06401306←

REF. 36 - 00555991804

#

P/N

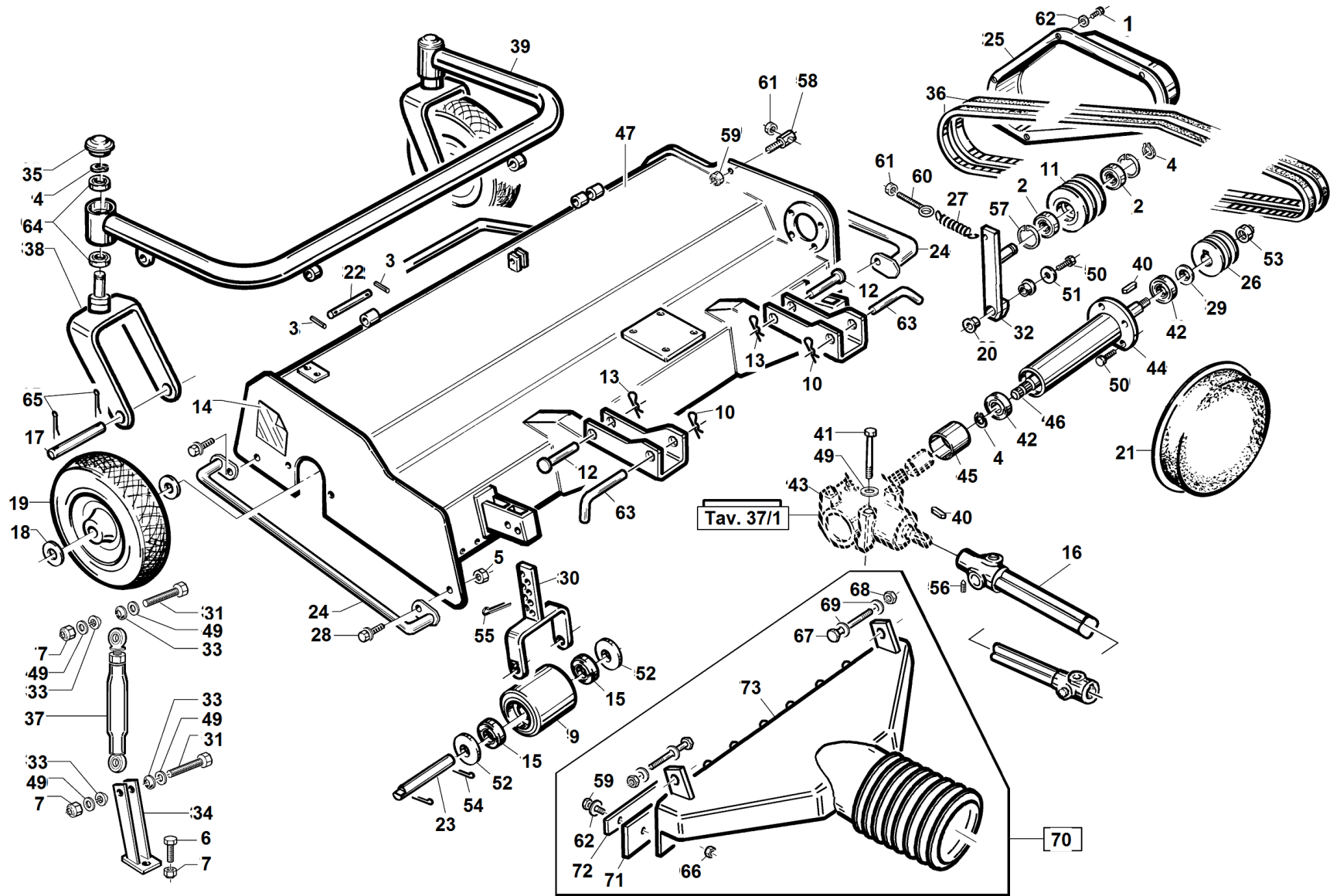
DESCRIPTION

ASPIRAFOGLIE

REF. 36 - 00555991804

1	95116100000	VACUUM HOSE FRAME
2	00111970156	TUBE L=5 MT D=165
3	95115110000	TANK SUPPORT FRAME
4	00111000071	SELF BLO. NUT M8
5	00111000175	"PIN ""R"" D.4"
6	95115120000	FRAME SUPPORT PLATE
7	95116000006	STEEL TUBE
8	00111300024	SCREW TE M4X35
9	95116000005	U BOLT
10	00111250006	SELF BL. NUT M4
11	00111990068	STEEL FACE D.160
12	95116000002	TUBE
13	00111300014	SCREW TE M6X45
14	95116000003	ALLUMINIUM BAND
15	00111000166	SELF BL. SCREW M6
16	95116000004	HANDLE
17	00111970115	""VAL-PA"" HANDLE"
18	00111990069	SPRING CATCH
19	95116000001	STEEL TUBE
20	00111990070	ELASTIC COMPLETE WITH HOOK
21	00111970093	CLOSER PLUG
22	95116000007	VACUUM HOSE HOOK

ARIEGGIATORE



S/N
→ **04318709**

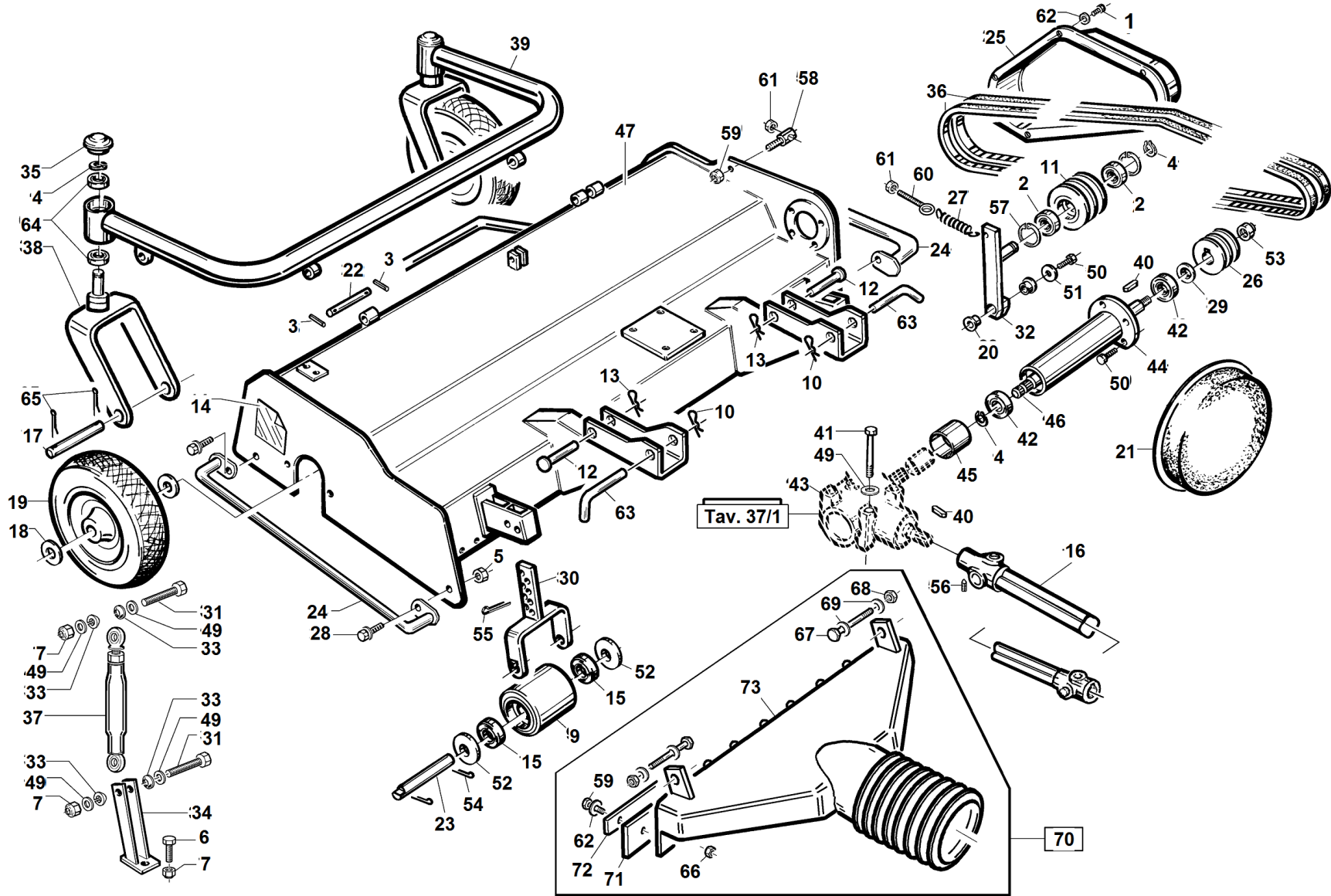
REF. 37 - 00555991812

1	00111000045	SCREW TE M6X16		
2	00777100005	KOYO BEARING 6202 2RS		
3	00111000039	ELASTIC PEG D.5X24		
4	00111650004	SNAP RING D.15 E		
5	00111000071	SELF BLO. NUT M8		
6	00111300018	SCREW TE M10X35		
7	00111000080	SELF BLO. SCREW M10		
9	00111970024	NYLON+ POLYURETHAN ROLLER		
10	00111750004	""BETA DECO"" SPLIT PIN"		
11	96024000015	TIGHTENER PULLEY		
12	95139100003	TROLLEY BLOCKING PIN		
13	00111000175	"PIN ""R"" D.4"		
14	00555000029	TRANSFER PRINTING MOWER DECK		
15	00777100008	BEARING 6204 2RS 20x47x14		
16	00777202200	COMPLETE CARDAN SHAFT		
17	95139200001	TROLLEY SHAFT WHEEL		
18	90110000001	SPACER WHEEL		
19	95504200000	NO PROFILE WHEEL 3.00-4		
20	95001000060	BRASS BUSHING		
21	95010000003	TURBINE COVER		
22	96024000004	TROLLEY FIXING DRILL ROD		
23	96024000005	ROLLER PIN		
24	PV96033100000	SIDE PROTECTION		
25	96024000017	BELT COVER		
26	96024000014	MOTION SHAFT PULLEY		
27	96024000018	SPRING SCREW COUPLING		
28	00111450003	SCREW WASHER M8X20		
29	00111500008	WASHER 21X37X2		
30	96024300000	COMPLETE ROLLER FORK		
31	00111300029	SCREW TE M10X55		
32	96024800000	BELT TIGHTENER		
33	90056100002	CONICAL WASHER GROVER		
34	90056102000	SUPPORT SCREW COUPLING		
35	99076000006	BLACK PLUG		
36	00111980008	BELT GATES SPAX-807		
37	90056101000	SCREW COUPLING M16		
38	96035301500	TROLLEY WHEEL FORK		
39	96035301000	PLAY SCARIFIER TROLLEY FRAME		
40	00111000174	TONGUE A 6X6X30		
41	00111000172	SCREW ALLEN M10X85		
42	00777100020	KOYO BEARING 6204 2RS		
43	00777304100	GEAR BOX		
44	PV95001000003	PTO SUPPORT TUBE		
45	96024000009	PROTECTION TUBE L=108		
46	96024200002	SUPPORT PULLEY SHAFT		
47	96035200000			
49	00111000048	WASHER 10,5X21		
50	00111000081	SCREW TE M8X16		
51	00111000061	WASHER 8.4X24X2		
52	00111970040	WHEEL NYLON OIL SEAL 44X20X3,5		
53	00111250003	SELF BL. NUT M16		
54	00111000177	PIN 4X40		
55	00111750003	SPLIT 5X2,5		
56	00111960002	GRUB M8X16		
57	00111650005	SNAP RING D.35 I		
58	95500000037	BLADE STOP EYE		
59	00111000166	SELF BL. SCREW M6		
60	00111990027	METAL EYELET M6 RIGHT		
61	00111000155	NUT M6		

#	P/N	DESCRIPTION	ARIEGGIATORE
---	-----	-------------	--------------

62	00111500009	WASHER 6.4X12.5X1.6	
63	95125000010	ROLLBAR PIN	
64	00777100006	BEARING 6004 2RS 20X42X12	
65	00111750005	SPLIT 4X50	
66	00111450012	SCREW FR M 6X20	
67	00111000035	SELF BLOC. NUT M6	
68	00111300025	SCREW TE M6X50	
69	00111000037	WASHER 6.6X18X2	
70	96035310000	VERTI-KUT AERATOR KIT	
71	96035310001		
72	96035310002		
73	96035310003		

ARIEGGIATORE



S/N

→03276107÷ 04318609←

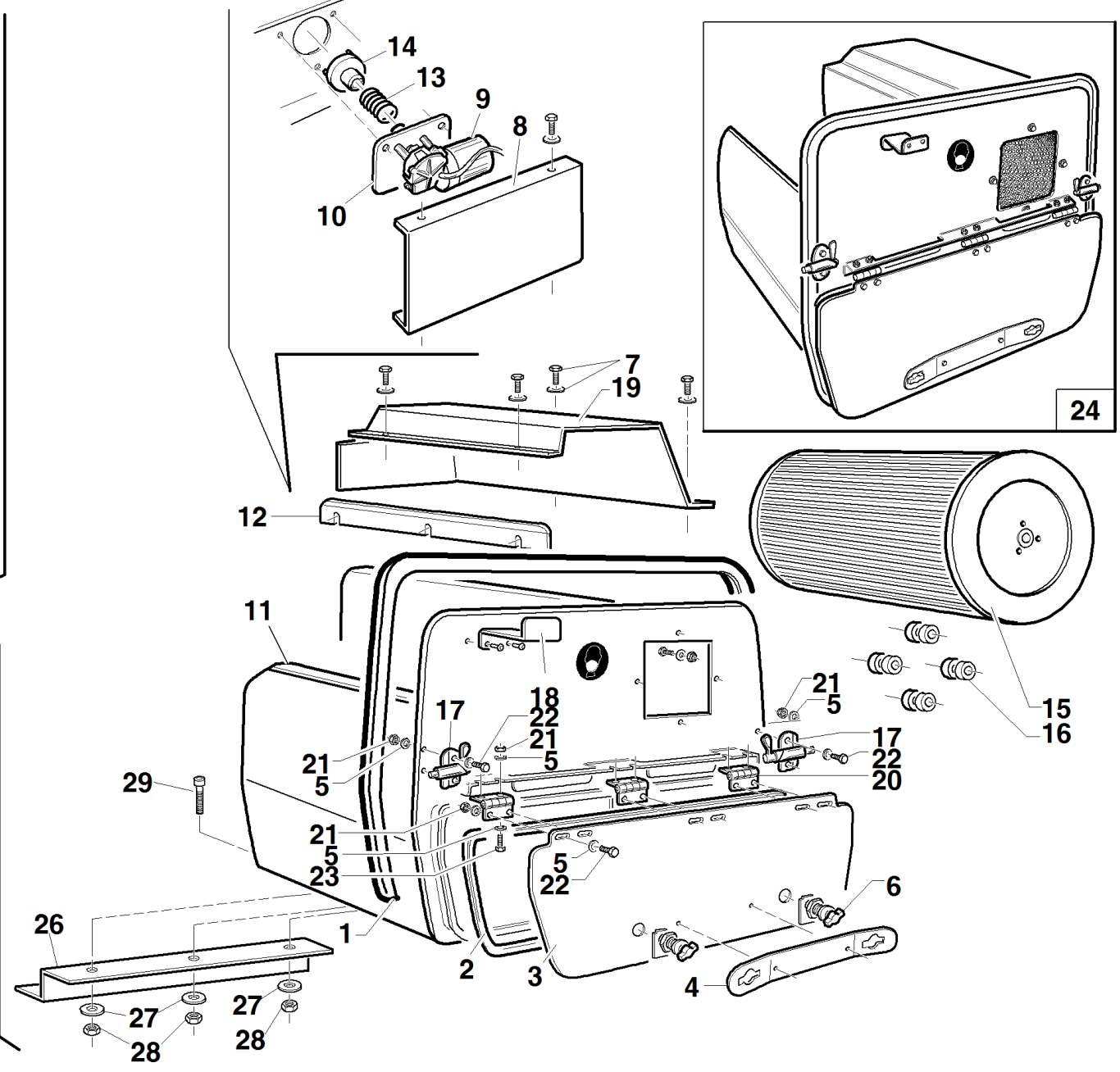
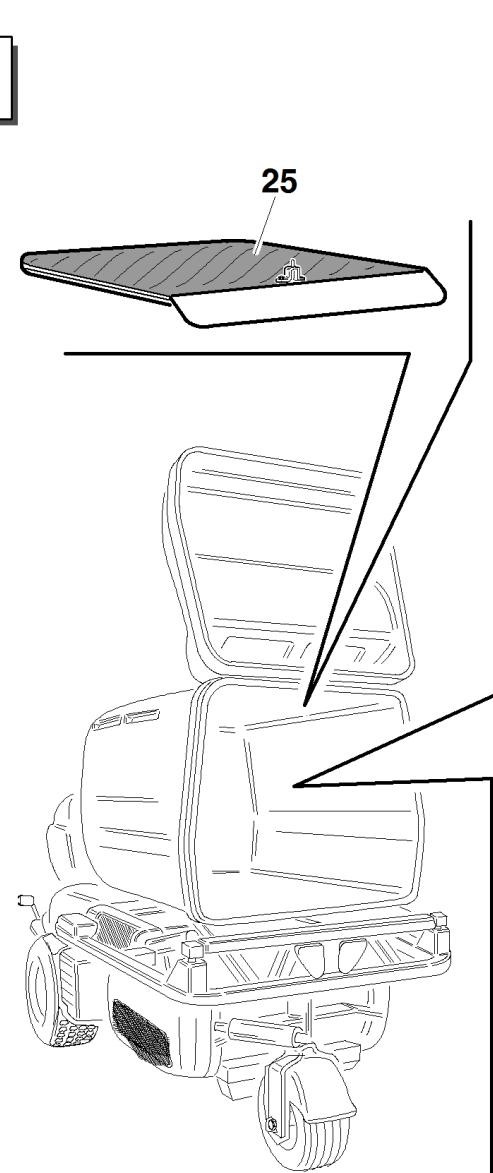
REF. 37 - 00555991805

#	P/N	DESCRIPTION	ARIEGGIATORE
1	00111000045	SCREW TE M6X16	
2	00777100005	KOYO BEARING 6202 2RS	
3	00111000039	ELASTIC PEG D.5X24	
4	00111650004	SNAP RING D.15 E	
5	00111000071	SELF BLO. NUT M8	
6	00111300018	SCREW TE M10X35	
7	00111000080	SELF BLO. SCREW M10	
9	00111970024	NYLON+ POLYURETHAN ROLLER	
10	00111750004	""BETA DECO"" SPLIT PIN"	
11	96024000015	TIGHTENER PULLEY	
12	95139100003	TROLLEY BLOCKING PIN	
13	00111000175	"PIN ""R"" D.4"	
14	00555000029	TRANSFER PRINTING MOWER DECK	
15	00777100008	BEARING 6204 2RS 20x47x14	
16	95599380000	COMPLETE CARDAN SHAFT	
17	95139200001	TROLLEY SHAFT WHEEL	
18	90110000001	SPACER WHEEL	
19	95504200000	NO PROFILE WHEEL 3.00-4	
20	95001000060	BRASS BUSHING	
21	95010000003	TURBINE COVER	
22	96024000004	TROLLEY FIXING DRILL ROD	
23	96024000005	ROLLER PIN	
24	PV96033100000	SIDE PROTECTION	
25	96024000017	BELT COVER	
26	96024000014	MOTION SHAFT PULLEY	
27	96024000018	SPRING SCREW COUPLING	
28	00111450003	SCREW WASHER M8X20	
29	00111500008	WASHER 21X37X2	
30	96024300000	COMPLETE ROLLER FORK	
31	00111300029	SCREW TE M10X55	
32	96024800000	BELT TIGHTENER	
33	90056100002	CONICAL WASHER GROVER	
34	90056102000	SUPPORT SCREW COUPLING	
35	99076000006	BLACK PLUG	
36	00111980008	BELT GATES SPAX-807	
37	90056101000	SCREW COUPLING M16	
38	96035301500	TROLLEY WHEEL FORK	
39	96035301000	PLAY SCARIFIER TROLLEY FRAME	
40	00111000174	TONGUE A 6X6X30	
41	00111000172	SCREW ALLEN M10X85	
42	00777100020	KOYO BEARING 6204 2RS	
43	00777304100	GEAR BOX	
44	PV95001000003	PTO SUPPORT TUBE	
45	96024000009	PROTECTION TUBE L=108	
46	96024200002	SUPPORT PULLEY SHAFT	
47	96035200000		
49	00111000048	WASHER 10,5X21	
50	00111000081	SCREW TE M8X16	
51	00111000061	WASHER 8.4X24X2	
52	00111970040	WHEEL NYLON OIL SEAL 44X20X3,5	
53	00111250003	SELF BL. NUT M16	
54	00111000177	PIN 4X40	
55	00111750003	SPLIT 5X2,5	
56	00111960002	GRUB M8X16	
57	00111650005	SNAP RING D.35 I	
58	95500000037	BLADE STOP EYE	
59	00111000166	SELF BL. SCREW M6	
60	00111990027	METAL EYELET M6 RIGHT	
61	00111000155	NUT M6	

#	P/N	DESCRIPTION	ARIEGGIATORE
---	-----	-------------	--------------

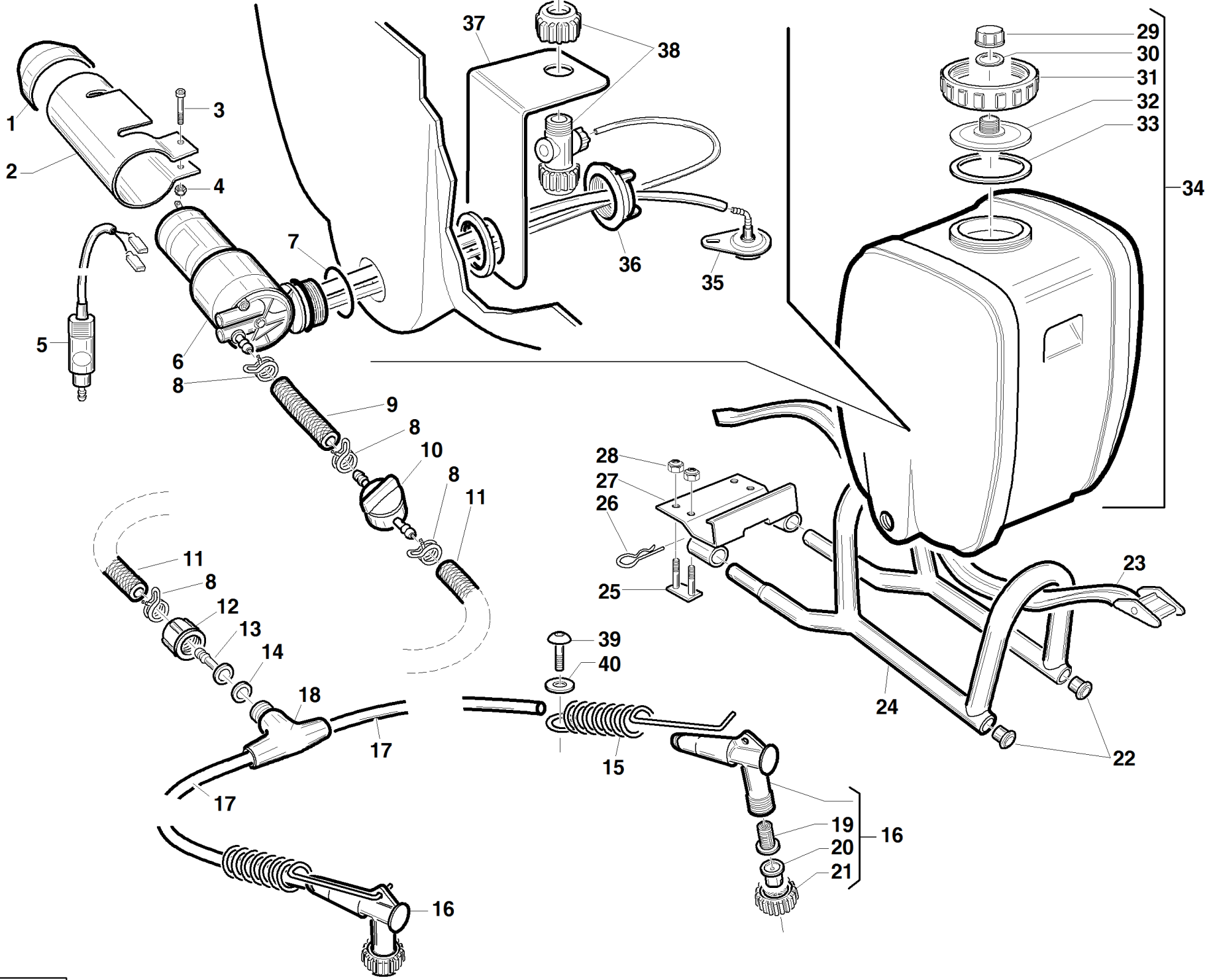
62	00111500009	WASHER 6.4X12.5X1.6	
63	95125000010	ROLLBAR PIN	
64	00777100006	BEARING 6004 2RS 20X42X12	
65	00111750005	SPLIT 4X50	
66	00111450012	SCREW FR M 6X20	
67	00111000035	SELF BLOC. NUT M6	
68	00111300025	SCREW TE M6X50	
69	00111000037	WASHER 6.6X18X2	
70	96035310000	VERTI-KUT AERATOR KIT	
71	96035310001		
72	96035310002		
73	96035310003		

SWEEPER FILTER



#	P/N	DESCRIPTION	SWEeper FILTER
1	95073000042	FILTER WASHER L=2800 mm	
2	95074000005	GASKET	
3	95074000006	FILTER CLOSING PLATE	
4	95074000007	NO-UNSCREWING PLATE	
5	00111000169	WASHER 6X12X1	
6	95074000008	COMPLETE BOLT	
7	95074000009	SCREW + WASHER	
8	95073000038	PROTECTION MOTOR PLATE	
9	00777800070	SWEeper FILTER MOTOR	
10	95073000037	FLAT FIXING MOTOR	
11	95073240000	FRAME SUPPORT FILTER	
12	95073000012	SIDE RUBBER STRAP	
13	95074000002	COMPRESSION SPRING	
14	95073000033	BUSH SHAKING FILTER	
15	00777650025	BRUSH FILTER	
16	00777100034	BEARING 626 2RS	
17	95074000004	SWEeper FILTER BOLT	
18	95074000010	BLOCKING DOOR PLATE	
19	95074000011	FILTER COVER	
20	00111970136	METAL HING	
21	00111000035	SELF BLOC. NUT M6	
22	00111300011	SCREW TE M6X20	
23	00111350023	SCREW TSPEI M6X20	
24	95074000000	SWEeper FILTER	
25	95144000000	PG 4 WHEELS ROTAT. HOPPER FILTER GRID	
26	95074000012	FILTER SUPPORT	
27	00111000037	WASHER 6.6X18X2	
28	00111000166	SELF BL. SCREW M6	
29	00111450005	SCREW/W M6X16	

Kit Nebulizzatore



#

P/N

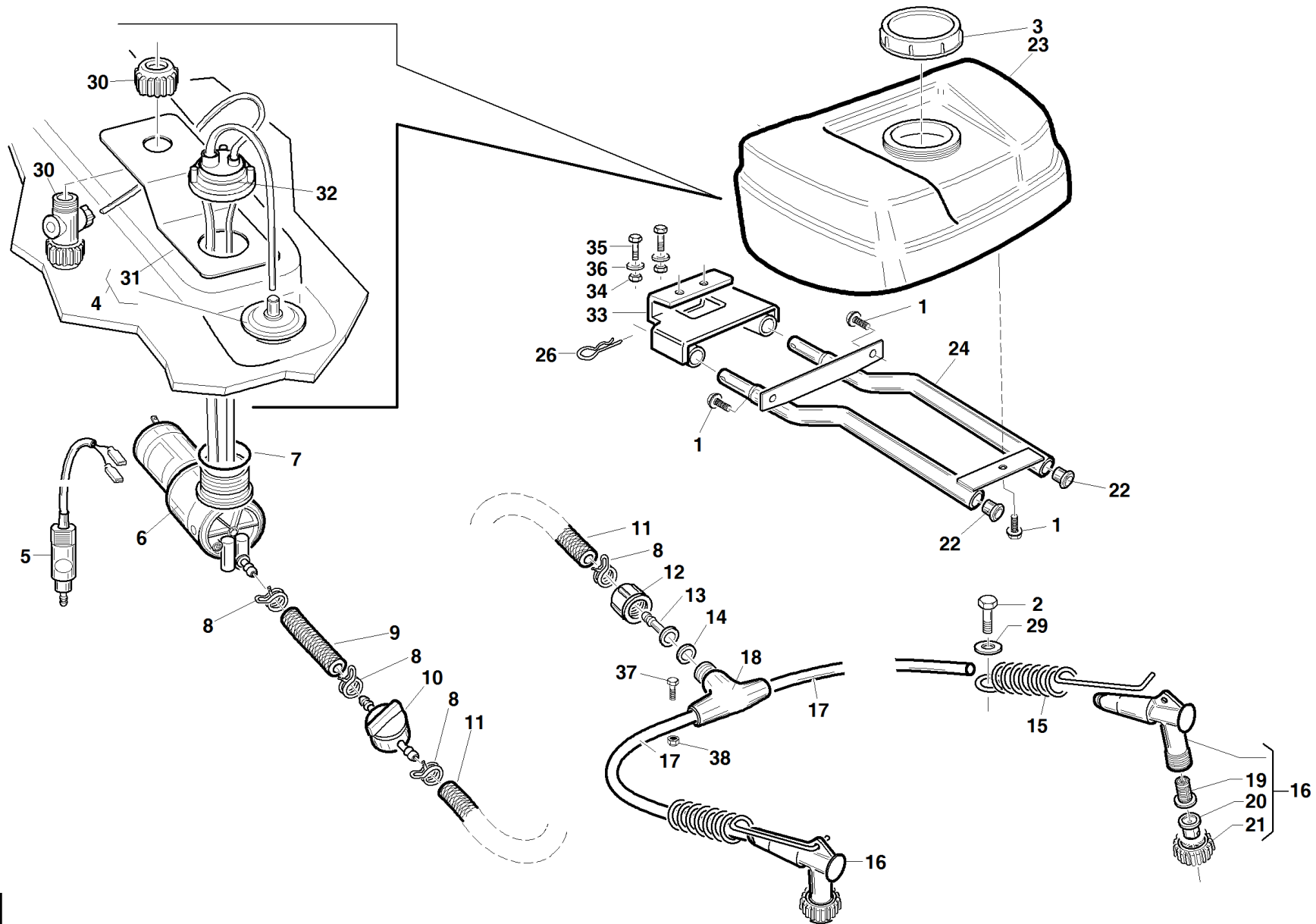
DESCRIPTION

Kit Nebulizzatore

REF. 39 - 00555991808

1	00111970101	GUM COVER HEADLIGHT
2	95115000002	MOTORPUMP GUARD PLATE
3	00111400018	ALLEN SCREW M5X30 (n° M.)
4	00111250010	SELF BL. NUT M5
5	00777800110	COMPLETE PIN
6	00777801600	MOTOR PUMP
7	00777230016	OR RING 4100
8	00111810015	CLAMP
9	95115000004	WATER ENTRY HOSE L=60
10	00111970105	TAP
11	95115000005	WATER ENTRY HOSE L=500
12	00111970107	WING NUT 3/8
13	00111990065	PIPE UNION
14	00777230015	OR RING 2021
15	95115000006	SPRAYING SUPPORT SPRING
16	00111970164	"ASSEMBLED UNION ELBOW 1/4""
17	95167000001	WHITE RILSAN HOSE
18	00111970163	CENTRAL UNION TEE
19	00111970103	ANTIFREEZE FILTER
20	00111970102	NOZZLE
21	00111970108	WING NUT
22	00111970093	CLOSER PLUG
23	00111990064	"TAPE ""STROPS"" MM25 L=1.80"
24	95115100000	TANK SUPPORT FRAME PAINTED
25	95115120000	FRAME SUPPORT PLATE
26	00111000175	"PIN ""R"" D.4"
27	95115110000	TANK SUPPORT FRAME
28	00111000071	SELF BLO. NUT M8
29	00111970111	CAP 3/4 EC/DM/WK R
30	00111990067	GASKET 3/4 DEA COCK
31	00111970110	METAL RING EC. D.110 G
32	00111970109	FLANG. EC/D.110 G.
33	00111990066	WASHER EC/DM D.110
34	00111970106	COMPLETE WHITE TANK
35	00111970170	WATER INTAKE FILTER
36	00111990062	MOTOR PUMP METAL RING
37	95115000003	PLATE SUPP. AGITATOR
38	00111970100	COMPLETE AGITATOR CIRCUIT
39	00111450004	SCREW WASHER M8X12
40	00111000132	WASHER P. 8,4X32X2,5 ZNT

Kit Nebulizzatore



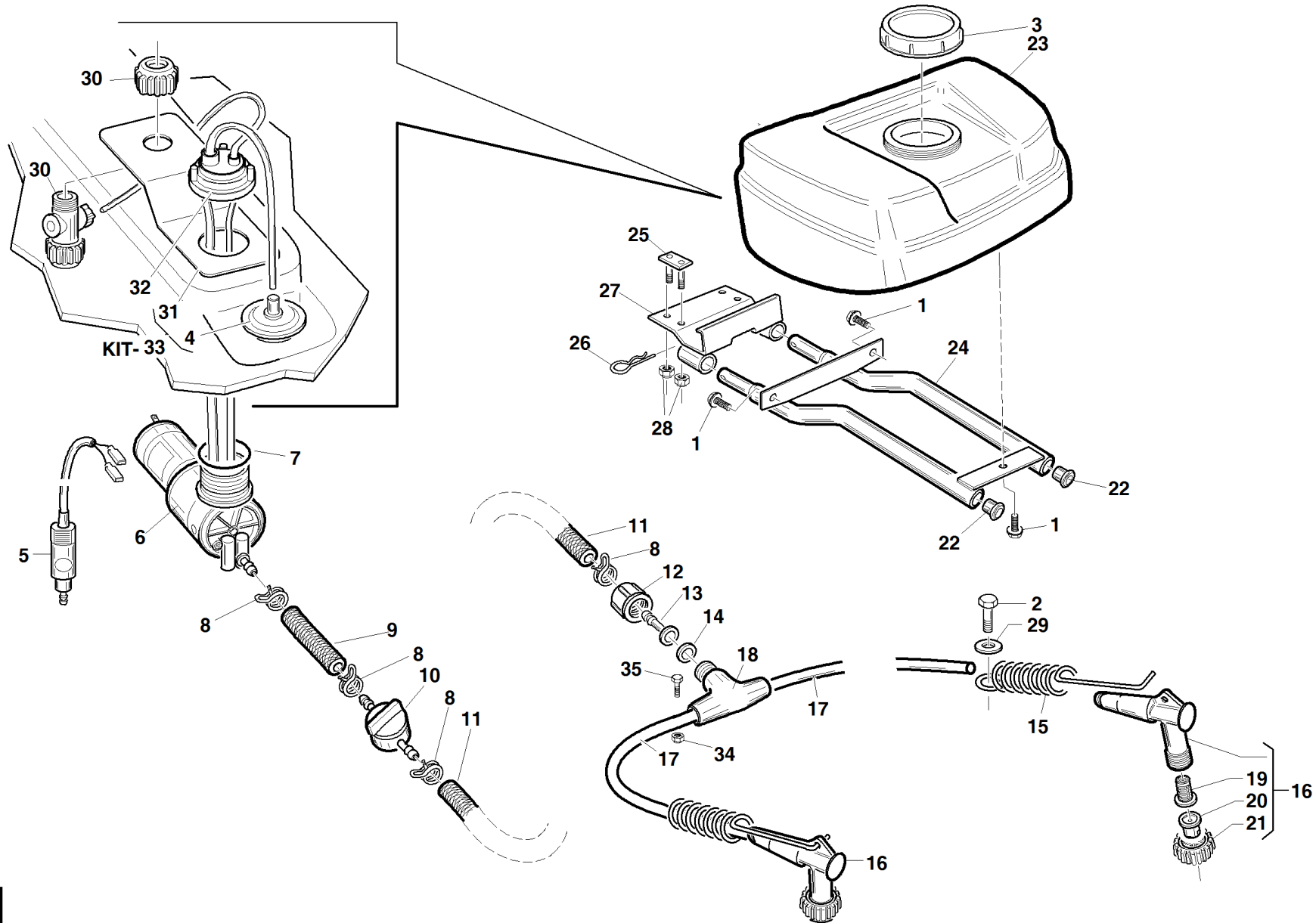
S/N
→ **04318709**

REF. 39 - 1 00555991824

#	P/N	DESCRIPTION	Kit Nebulizzatore	REF. 39 - 1 00555991824
---	-----	-------------	-------------------	-------------------------

1	00111000059	FAKE SCREW/WASH. M8X14		
2	00111000081	SCREW TE M8X16		
3	00111970173	TANK PLUG M140		
4	95598210000			
5	00777800110	COMPLETE PIN		
6	00777801600	MOTOR PUMP		
7	00777230016	OR RING 4100		
8	00111810015	CLAMP		
9	95115000004	WATER ENTRY HOSE L=60		
10	00111970105	TAP		
11	95115000005	WATER ENTRY HOSE L=500		
12	00111970107	WING NUT 3/8		
13	00111990065	PIPE UNION		
14	00777230015	OR RING 2021		
15	95115000006	SPRAYING SUPPORT SPRING		
16	00111970164	"ASSEMBLED UNION ELBOW 1/4""		
17	95167000001	WHITE RILSAN HOSE		
18	00111970163	CENTRAL UNION TEE		
19	00111970103	ANTIFREEZE FILTER		
20	00111970102	NOZZLE		
21	00111970108	WING NUT		
22	00111970093	CLOSER PLUG		
23	95167000002	WATER TANK		
24	95167100000			
26	00111000175	"PIN ""R"" D.4"		
29	00111000132	WASHER P. 8,4X32X2,5 ZNT		
30	00111970100	COMPLETE AGITATOR CIRCUIT		
31	95167000003	AGITATOR SUPPORT		
32	00111990062	MOTOR PUMP METAL RING		
33	95167120000	TANK FRAME SUPPORT		
34	00111000080	SELF BLO. SCREW M10		
35	00111350034	SCREW M10X65		
36	00111000015	WASHER D.10,5X21X2		
37	00111300019	SCREW TE M4X20		
38	00111250006	SELF BL. NUT M4		

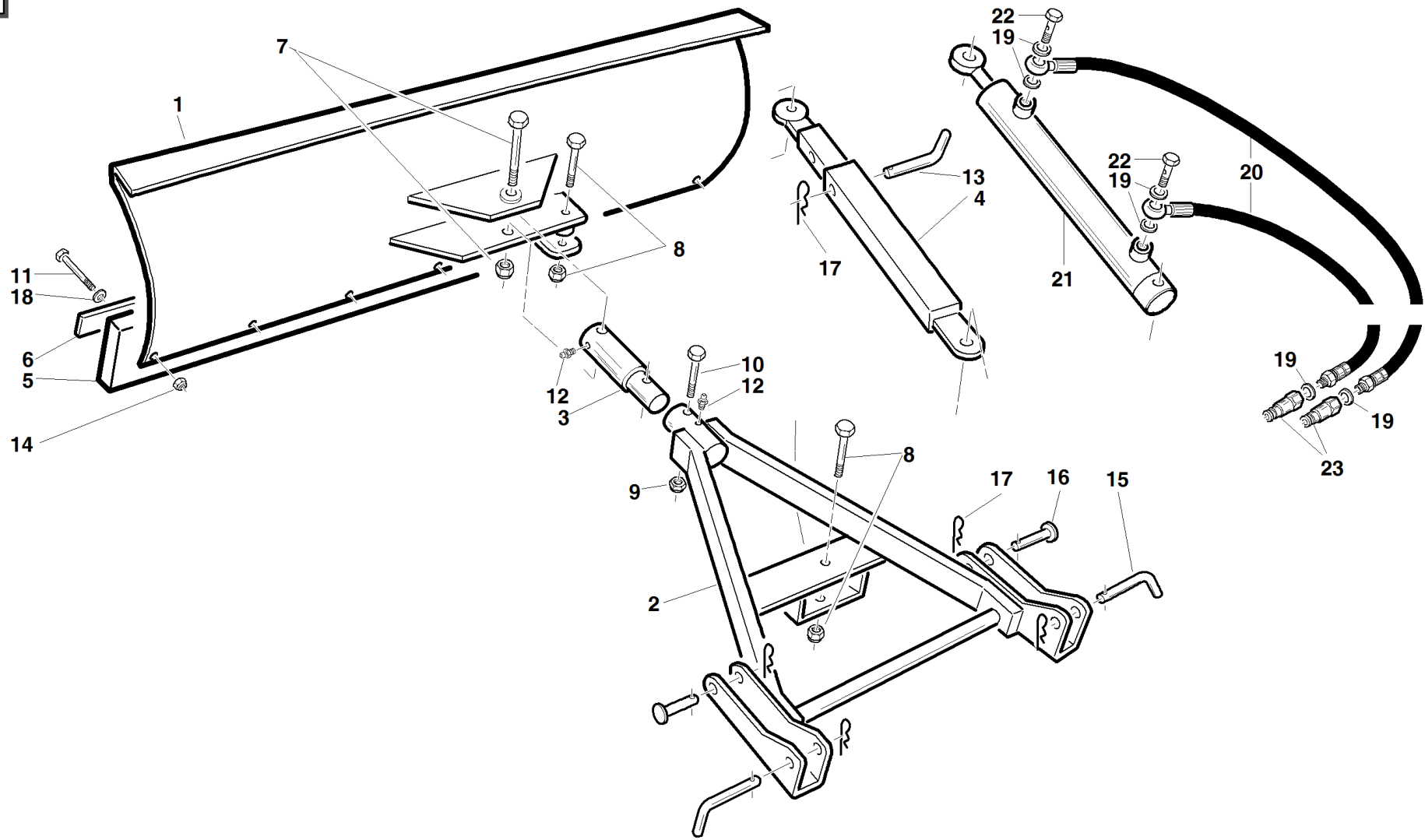
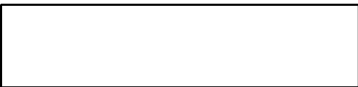
Kit Nebulizzatore



S/N
→03276107÷ 04318609←

REF. 39 - 1 00555991818

#	P/N	DESCRIPTION	Kit Nebulizzatore	REF. 39 - 1 00555991818
1	00111000059	FAKE SCREW/WASH. M8X14		
2	00111000081	SCREW TE M8X16		
3	00111970173	TANK PLUG M140		
4	00111970174	WATER INTAKE FILTER		
5	00777800110	COMPLETE PIN		
6	00777801600	MOTOR PUMP		
7	00777230016	OR RING 4100		
8	00111810015	CLAMP		
9	95115000004	WATER ENTRY HOSE L=60		
10	00111970105	TAP		
11	95115000005	WATER ENTRY HOSE L=500		
12	00111970107	WING NUT 3/8		
13	00111990065	PIPE UNION		
14	00777230015	OR RING 2021		
15	95115000006	SPRAYING SUPPORT SPRING		
16	00111970164	"ASSEMBLED UNION ELBOW 1/4""		
17	95167000001	WHITE RILSAN HOSE		
18	00111970163	CENTRAL UNION TEE		
19	00111970103	ANTIFREEZE FILTER		
20	00111970102	NOZZLE		
21	00111970108	WING NUT		
22	00111970093	CLOSER PLUG		
23	95167000002	WATER TANK		
24	95167100000			
25	95115120000	FRAME SUPPORT PLATE		
26	00111000175	"PIN ""R"" D.4"		
27	95115110000	TANK SUPPORT FRAME		
28	00111000071	SELF BLO. NUT M8		
29	00111000132	WASHER P. 8,4X32X2,5 ZNT		
30	00111970100	COMPLETE AGITATOR CIRCUIT		
31	95167000003	AGITATOR SUPPORT		
32	00111990062	MOTOR PUMP METAL RING		
33	95598210000			
34	00111300019	SCREW TE M4X20		
35	00111250006	SELF BL. NUT M4		



#	P/N	DESCRIPTION
1	95171100001	
2	95171100002	SUPPORT
3	95171100003	JOINT BUSHING
4	95171100004	ORIENTATION TELESCOPIC ARM
5	95171100005	RUBBER BLADE 1200/1300
6	95171100006	BLOCKING RUBBER PLATE 1200/1300
7	95171100007	SCREW + NUT
8	95171100008	SCREW + NUT
9	00111000080	SELF BLO. SCREW M10
10	00111300049	SCREW TE UNI 5737
11	00111300021	SCREW TE M8X45
12	95171100011	GREASER 10X1
13	95171100010	BLOCKING ORIENTATION PIN
14	00111000071	SELF BLO. NUT M8
15	95125000009	PIN
16	95139100003	TROLLEY BLOCKING PIN
17	00111750004	""BETA DECO"" SPLIT PIN"
18	00111000087	WASHER P.8,4X15.6X1,5
19	00777600001	WASHER COPPER 1/4
20	95184000002	HOSE 1SN-1/4 L=960 MM
21	95184000001	SNOW BLADE HYDR. CYLINDER
22	00777600040	SIMPLE CABLE BOLT
23	00777600151	MALE RAPID ATTACHMENT 1/4